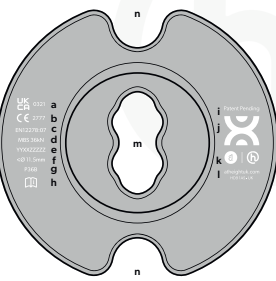


Markings & Nomenclature

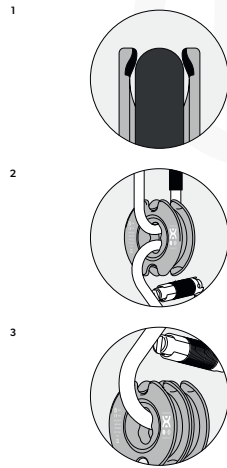
Section One



- a UKCA 0321 - Approved Body No.
- b CE 2777 - Notified Body No.
- c EN12278:07 - European Standards
- d MBS 36kN - Minimum Breaking Strength
- e YXXZZZZ - Individual Serial Number
- f  $\leq \varnothing 11.5\text{mm}$  - Rope Diameter
- g Product Code
- h - Read User Instructions Manual
- i Patent Pending - No. 2205034.8
- j Product Logo
- k Brand Logos
- l Manufacturers Website & Address
- m Connection Aperture
- n Frame Cut-out's to Ease Karabiner Installation / Removal

Loading The PulleyOne

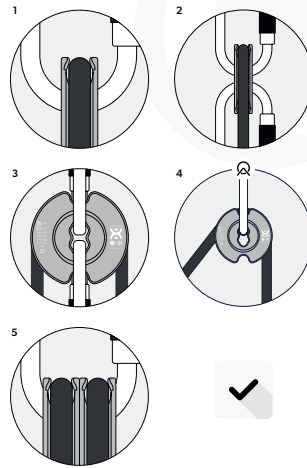
Section Two



\*Recommended Connectors in Section Five

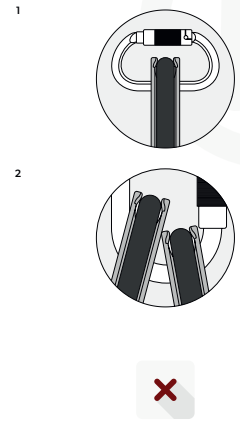
Using The PulleyOne

Section Three



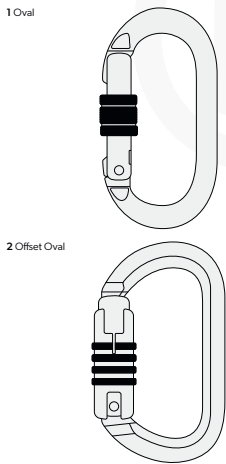
Misusing The PulleyOne

Section Four



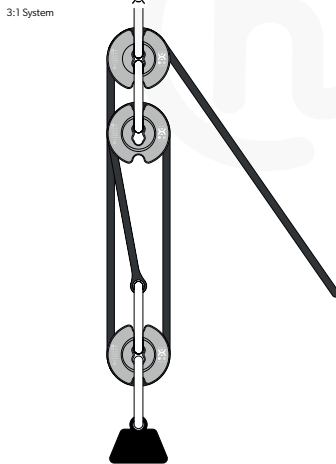
Preferred Connectors

Section Five



Suggested Configuration

Section Six



Product Inspection Record Card Example

Section Seven

Date	OK? (If no, report defects here)	Name & Signature	Date of Next Examination
Product Type and Identification Number	Year of Manufacture	Year of Purchase	Date of First Use

PulleyOne

English

**Warning!**  
Working at height and related activities are inherently dangerous. It is the responsibility of any person using this equipment to learn, understand and practice the proper techniques for use of the equipment for its designated purposes. It is impossible for this document to cover every eventuality and incorrect use of this equipment may result in fatal consequences. This equipment should only be used by the user and others specifically trained in its use. This equipment should not be used by persons with medical conditions that may affect the safety of the user.

You are responsible for your own actions and any person using this equipment assumes all risks and full responsibility for all damages or injury which may result from the use of it.

If this product is resold outside the original country of destination the reseller should provide these instructions for use in the language of the country in which the product is sold.

**General Use**

This PulleyOne is a modular pulley without swing-cheek plates used individually, or as part of a system, to create mechanical advantage in a hauling system. Multiple PulleyOne devices can be used on a single karabiner or sling. Ensure to attach the connector vertically through the connection aperture.

**Inspection**

The whole device should be checked by visual inspection on a regular basis (in line with the PPE Regs or more frequently if local regulations require it) and ensure that all marked text is legible. All thorough examinations should be recorded on an equipment record card.

**Loading The PulleyOne**

- 1 Ensure the rope is secured underneath the pulley plate protrusions.
  - 2 Use a second karabiner / sling in the lower portion of the connection aperture if required.
  - 3 Stack two devices together and load the connector through the connection aperture of each device.
- Note:** The working line can be introduced / removed before installing / removing the method of connection from its point of anchorage. The PulleyOne can also be introduced / removed in a hauling system, where appropriate.

**Using The PulleyOne**

- 1 Ensure the PulleyOne is correctly seated on the connector.
- 2 Ensure the working line is not in contact with the inner-faces of the PulleyOne device.
- 3 Two connectors can be used simultaneously through the PulleyOne aperture.
- 4 Connect the PulleyOne to a suitable anchor point.
- 5 When using multiple PulleyOne devices on one karabiner, ensure that they are parallel and seated correctly.

**Misusing The PulleyOne**

- 1 Do not cross load the karabiner.
- 2 When using multiple PulleyOne devices on one karabiner, ensure that they are parallel and seated correctly.

**Preferred Connectors**

- 1 Oval
  - 2 Offset Oval
- It is the responsibility of the person using the equipment to use a suitable method of connection.

**Cleaning, Storage and Transport**

This equipment must not be marked, modified or repaired by the user.

**Note:** This equipment is not user maintainable with the exception of the following:

**Cleaning:** if required clean with a mild household detergent and rinse in clean water. Thoroughly rinse and dry naturally in a warm ventilated room away from direct heat. Important: Cleaning is recommended after every use in a marine environment.

**Storage and transport:** this product should be stored in a clean, dry environment free from chemicals or corrosives and away from excessive heat or high humidity.

**Lifespan**

This is the maximum life of the product, subject to detailed conditions, that the Manufacturer recommends that the product should remain in service. Metal Products – Indefinite. This may be as little as a single use, (or even earlier if damaged e.g. in transit or storage prior to first use) when considering the following criteria: fall arrest, general wear, chemical contamination, corrosion, mechanical malfunction/ deformation, cracks, loose rivets, heat contamination (over normal climatic conditions), clear and readable marking (e.g. marking, batch reference, individual serial numbers etc).

**Declaration of Conformity**

At Height Ltd declares that the products described above conform to PPE Regulation EU 2016/425 for EU and is subject to Module C2 under the supervision of Notified Body

SATRA Technology Europe Ltd (NB 2777)  
Bracetown Business Park,  
Clonee,  
Co. Meath,  
D15 YN2P

SATRA Technology Europe (NB2777) also performed the EU type examination (Module B)

according to applicable standard EN12278:07

and issued EU type examination certificates which can be found on the product page at [www.atheightuk.com](http://www.atheightuk.com).

At Height declares that the products described above conform to PPE Regulation 2016/425 as amended to apply in GB for UKCA and is subject to Module C2 under the supervision of approved body

SATRA Technology Centre (AB 0321),  
Wyndham Way,  
Telford Way,  
Kettering,  
Northamptonshire,  
NN16 8SD, UK

and issued UKCA certificates which can be found on the product page at [www.atheightuk.com](http://www.atheightuk.com)



At Height Ltd  
41c Underbank, Old Road,  
Holmfirth, HD91AS  
United Kingdom

atheightuk.com  
www.atheightuk.com

Designed & Developed by  
**Jammy Design**  
info@jammydesign.co.uk

Manufactured & Distributed by  
**At Height UK**  
info@atheightuk.com  
Patent Pending No. 2205034.8

**PulleyOne P36x**

Manufactured & Supplied by  
**atheightuk.com**