

Ref.3109 GYRO4

INTERNATIONAL
CE + ANSI

A revolutionary 3D swiveling rigging plate equipped with 4 connection points that rotate independently to allow them to be self-orienting even in the most complex rigging scenarios. The patented Gyro system allows for countless possibilities of connection between different elements that need freedom of movement.

The innovative design prevents the accumulation of dirt and makes inspection easy.

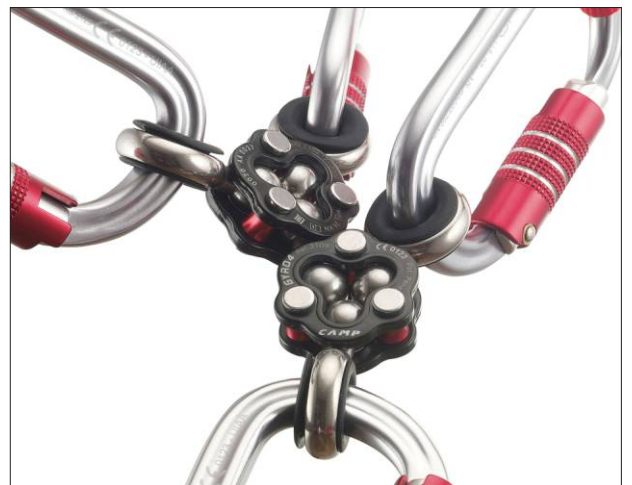
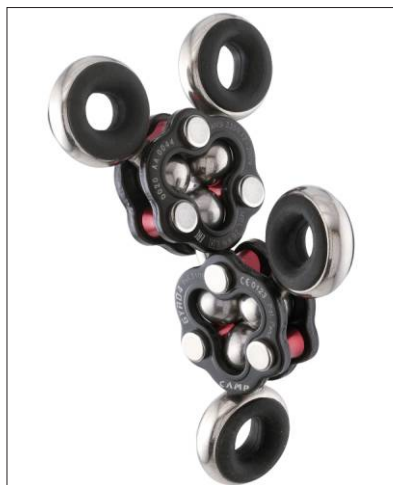
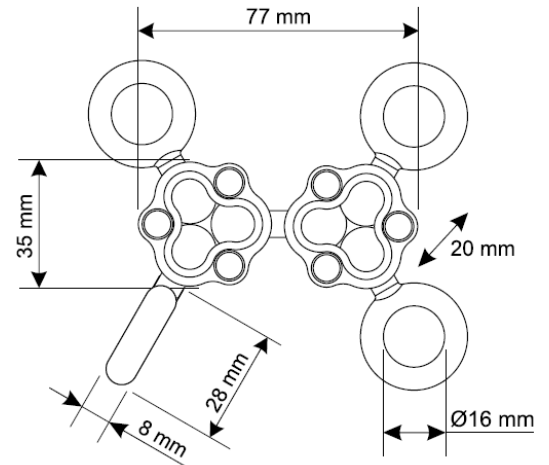
Main structural flanges are carbon steel with a double corrosion preventive coating. Swivel balls and attachment points are stainless steel.

Includes four removeable silicon anti-rotation inserts.

Working load limit: 3 kN. Minimum breaking strength: 26 kN.

Working load limit and minimum breaking strength are doubled when the two main bodies are oriented horizontally.

TEAM RESCUE ROPE ACCESS TREE CLIMBING CONFINED



Ref.	Product name Nombre del producto	Weight Peso		Strength Resistencia	Working load Max Carga de trabajo Max	Hole diameter Diámetro del orificio	CE	ANSI Z359.12	EAC
		g	oz	kN	kg	mm			
3109	GYRO4	265	9.4	26	300	4 x ø16	•	•	•

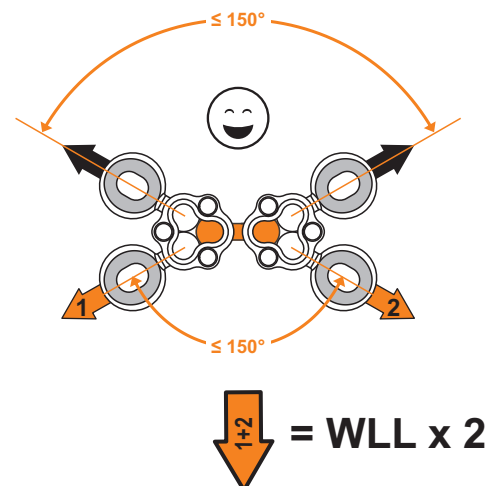
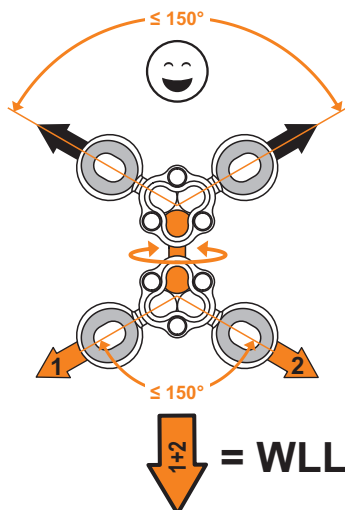
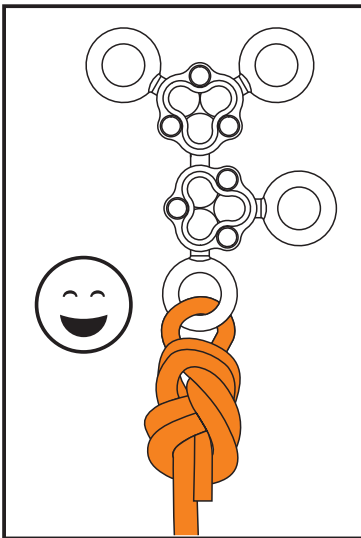


The innovative design prevents the accumulation of dirt and makes inspection easy

Main structural flanges are carbon steel with a double corrosion preventive coating

Swivel balls and attachment points are stainless steel

Includes four removeable silicon anti-rotation inserts



WLL
 Valore d'utilizzo massimo
 Maximum working load
 Valeur d'utilisation maxi
 Maximale Gebrauchslast
 Valor de utilización máximo
 Maximale belasting
 Maximalt användarvärde
 Maksimal bruksverdi
 Максимальная рабочая нагрузка
3 kN

MBL
 Carico di rottura minimo
 Minimum breaking load
 Charge de rupture minimum
 Minimale bruchlast
 Carga de ruptura mínimo
 Minimale breukbelasting
 Minsta brottstyrka
 Minste bruddstyrke
 Минимальная нагрузка разрушения
26 kN

