

# STIHL

## STIHL RE 150 PLUS, 170 PLUS

Instruction Manual





# Contents

<b>1</b>	<b>Introduction</b>	<b>2</b>			
<b>2</b>	<b>Guide to Using this Manual</b>	<b>2</b>			
2.1	Applicable documents	2			
2.2	Warning Notices in Text	3			
2.3	Symbols in Text	3			
<b>3</b>	<b>Overview</b>	<b>3</b>			
3.1	Pressure washer	3			
3.2	Spray attachment	4			
3.3	Symbols	5			
<b>4</b>	<b>Safety Precautions</b>	<b>5</b>			
4.1	Warning symbols	5			
4.2	Intended use	6			
4.3	Requirements concerning the User	6			
4.4	Clothing and equipment	7			
4.5	Work area and surroundings	7			
4.6	Safe condition	7			
4.7	Operation	8			
4.8	Detergents	11			
4.9	Connecting the water supply	11			
4.10	Connecting to the power supply	11			
4.11	Transport	12			
4.12	Storage	13			
4.13	Cleaning, servicing and repairs	13			
<b>5</b>	<b>Safety instructions - Accessories</b>	<b>14</b>			
5.1	Spray lance extension, surface cleaner, pipe cleaning kit, angled spray lance and angled nozzle	14			
<b>6</b>	<b>Preparing the pressure washer for operation</b>	<b>15</b>			
6.1	Making the pressure washer ready for use	15			
<b>7</b>	<b>Assembling the pressure washer</b>	<b>15</b>			
7.1	Assembling the pressure washer	15			
7.2	Pulling out and pushing in the handle	15			
7.3	Attaching and removing the spray gun	16			
7.4	Attaching and removing the spray lance	16			
7.5	Attaching and removing the nozzle	17			
<b>8</b>	<b>Connecting to a water source</b>	<b>17</b>			
8.1	Connecting the pressure washer to the water supply	17			
8.2	Connecting the pressure washer to another water supply	18			
<b>9</b>	<b>Connecting the pressure washer to the power supply</b>	<b>20</b>			
9.1	Connecting the pressure washer to the power supply	20			
<b>10</b>	<b>Switching the pressure washer on and off</b>	<b>20</b>			
10.1	Switching on the pressure washer	20			
10.2	Switching off the pressure washer	20			
<b>11</b>	<b>Operating the pressure washer</b>	<b>21</b>			
11.1	Holding and controlling the spray gun	21			
11.2	Unrolling the high-pressure hose	21			
11.3	Setting the working pressure and the water flow rate	21			
11.4	Pressing and locking the spray gun lever	22			
11.5	Cleaning	22			
11.6	Working with detergent	23			
<b>12</b>	<b>After Finishing Work</b>	<b>25</b>			
12.1	After finishing work	25			
12.2	Protecting the pressure washer with antifreeze	26			
<b>13</b>	<b>Transporting</b>	<b>27</b>			
13.1	Transporting the pressure washer	27			
<b>14</b>	<b>Storing</b>	<b>27</b>			
14.1	Storing the pressure washer	27			
<b>15</b>	<b>Cleaning</b>	<b>27</b>			
15.1	Cleaning the pressure washer and accessories	27			
15.2	Cleaning nozzle and spray lance	28			
15.3	Cleaning the water intake screen	28			
15.4	Cleaning the water filter	28			
<b>16</b>	<b>Maintenance</b>	<b>29</b>			

# STIHL

This instruction manual is protected by copyright. All rights reserved, especially the rights to reproduce, translate and process with electronic systems.

16.1 Maintenance intervals.....	29
<b>17 Repairing</b> .....	<b>29</b>
17.1 Repairing the pressure washer.....	29
<b>18 Troubleshooting</b> .....	<b>30</b>
18.1 Correcting faults in the pressure washer .....	30
18.2 Greasing the gaskets .....	32
<b>19 Specifications</b> .....	<b>32</b>
19.1 Pressure washer STIHL RE 150 PLUS .....	32
19.2 Pressure washer STIHL RE 170 PLUS .....	33
19.3 Extension Cords .....	33
19.4 Sound and vibration values RE 150 PLUS, 170 PLUS .....	34
19.5 REACH .....	34
<b>20 Spare Parts and Accessories</b> .....	<b>34</b>
20.1 Spare Parts and Accessories.....	34
<b>21 Disposal</b> .....	<b>34</b>
21.1 Disposing of the pressure washer .....	34
<b>22 EC Declaration of Conformity</b> .....	<b>34</b>
22.1 Pressure washers STIHL RE 150 PLUS, 170 PLUS.....	34

## 1 Introduction

Dear Customer,

Thank you for choosing STIHL. We develop and manufacture our quality products to meet our customers' requirements. The products are designed for reliability even under extreme conditions.

STIHL also stands for premium service quality. Our specialist dealers guarantee competent advice and instruction as well as comprehensive service support.

We thank you for your confidence in us and hope you will enjoy working with your STIHL product.



Dr. Nikolas Stihl

**IMPORTANT: READ BEFORE USE AND KEEP IN A SAFE PLACE.**

## 2 Guide to Using this Manual

### 2.1 Applicable documents

The local safety regulations apply.

- ▶ In addition to this Instruction Manual please read the following documents, make sure you have understood them and keep them in a safe place for future reference:
  - Instruction Manual and packaging of the accessory used
  - Instruction Manual and packaging of the detergent used

## 2.2 Warning Notices in Text

### DANGER

This notice refers to risks which result in serious or fatal injury.

- ▶ Serious or fatal injuries can be avoided by taking the precautions mentioned.

### WARNING

This notice refers to risks which **can** result in serious or fatal injury.

- ▶ Serious or fatal injuries can be avoided by taking the precautions mentioned.

### NOTICE

This notice refers to risks which can result in damage to property.

- ▶ Damage to property can be avoided by taking the precautions mentioned.

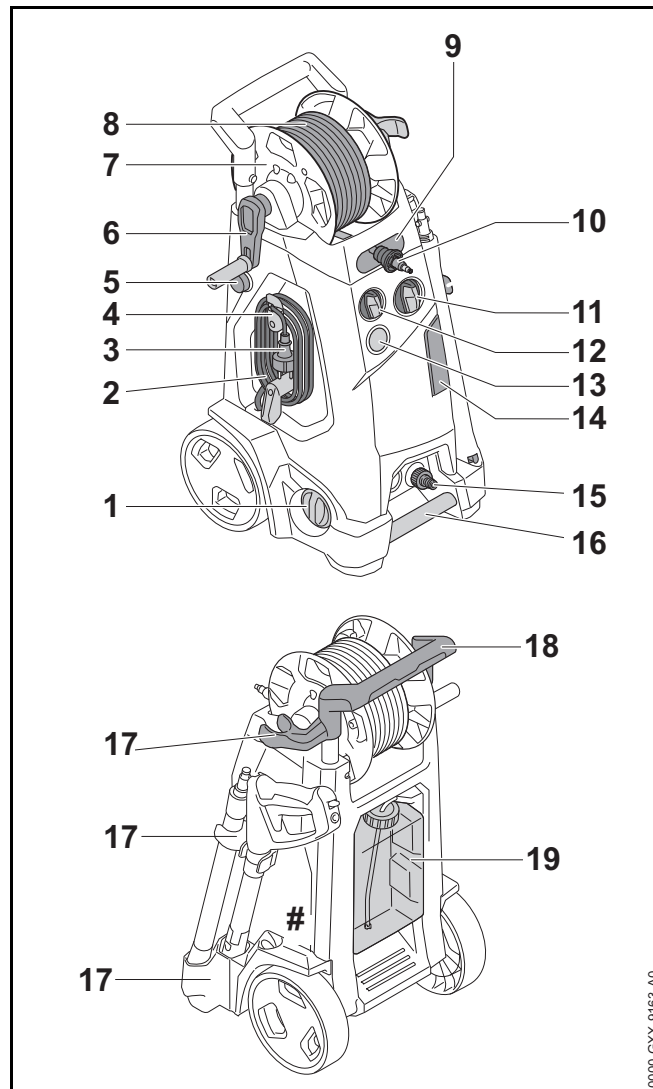
## 2.3 Symbols in Text



This symbol refers to a chapter in this instruction manual.

## 3 Overview

### 3.1 Pressure washer



**1 Rotary control**

The rotary control is used to set the working pressure and water flow rate.

**2 Connecting cord**

The connecting cord connects the pressure washer to the mains plug.

**3 Mains plug**

The mains plug connects the connecting cord to a socket.

**4 Holder with clip**

The holder serves to remove and store the connecting cord and can be rotated. The clip attaches the mains plug to the coiled connecting cord.

**5 Trigger switch lockout**

The trigger switch lockout blocks the adjustment of the handle.

**6 Crank**

The crank is used to turn the hose reel

**7 Hose reel**

The hose reel is used to roll up the high-pressure hose.

**8 High-pressure hose**

The high-pressure hose transports the water from the high-pressure pump to the spray gun.

**9 Guide opening**

The guide opening guides the high-pressure hose from the front onto the hose reel.

**10 Connector**

The connector connects the high-pressure hose with the spray gun.

**11 Rotary switch**

The rotary switch is used to switch the pressure washer on and off.

**12 Dosing handle**

The dosing handle is used to set the desired dosage of cleaning agent.

**13 Pressure gauge**

The pressure of the high-pressure pump is indicated by the pressure gauge.

**14 Flap**

The flap covers the supplied nozzles and cleaning needle.

**15 Connector**

The connector is used to connect the water hose.

**16 Carrying handle**

The carrying handle is used to carry the pressure washer.

**17 Support**

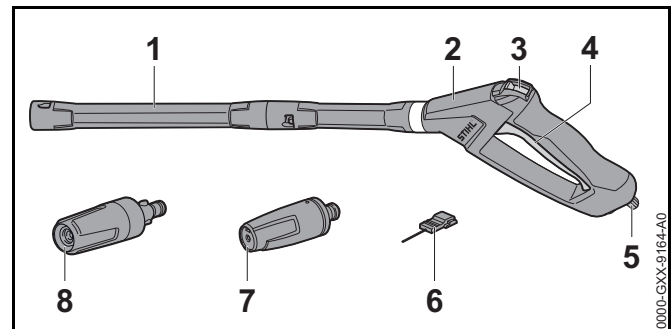
The supports are used to store the spraying equipment.

**18 Handle**

The handle is used when carrying and moving the pressure washer.

**19 Detergent container**

The detergent container is used for cleaning with cleaning agent.

**# Rating plate with serial number****3.2 Spray attachment****1 Spray lance**

The spray lance connects the spray gun with the nozzle.

**2 Spray gun**

The spray gun is used to hold and guide the spray attachment.

**3 Retaining latch**

The retaining latch unlocks the trigger.

**4 Trigger**

The trigger opens and closes the valve in the spray gun. The trigger starts and stops the water jet.

**5 Locking lever**

The locking lever holds the connector in the spray gun.

**6 Cleaning pin**

The cleaning pin is provided to clean the nozzles.

**7 Fan-jet nozzle**

The fan-jet nozzle creates a flat water jet.

**8 Rotary nozzle**

The rotary nozzle creates a hard, rotating water jet.

**3.3 Symbols**

The symbols may appear on the pressure washer and the spraying equipment. Their meaning is as follows:



In this position, the locking lever unlocks the lever.



In this position, the locking lever locks the lever.



Do not dispose of product with the household waste.



**LWA** Guaranteed sound power level in accordance with Directive 2000/14/EC in dB(A) to allow noise emissions of different products to be compared.



These symbols indicate original STIHL spare parts and original STIHL accessories.

**4 Safety Precautions****4.1 Warning symbols**

The warning symbols on the pressure washer have the following meanings:



Observe the safety advice and associated measures.



Read the Instruction Manual, make sure you have understood it and keep it in a safe place for reference.



Wear safety glasses.



Do not direct the water jet at people or animals.



Do not direct the water jet at electrical equipment, electrical connections, sockets or live power cords.



Do not direct the water jet at electrical appliances or at the pressure washer.



If the connecting cord or extension cord is damaged: Unplug the mains plug from the socket.



Do not connect the pressure washer directly to the drinking water main.



Switch off pressure washer when taking a break from operation and for transport, storage, servicing or repairs.



Do not use, transport or store the pressure washer at temperatures below 0° C.

## 4.2 Intended use

The pressure washer STIHL RE 150 PLUS or RE 170 PLUS is used for example to clean vehicles, trailers, patios, paths and facades.

The pressure washer must not be used in the rain.

## ⚠ WARNING

- Using the pressure washer other than for its intended use can result in serious injuries or death and damage to property.
  - ▶ Always use the pressure washer as described in this Instruction Manual.

The pressure washer STIHL RE 150 PLUS or RE 170 PLUS is not designed to be used for:

- Cleaning asbestos cement and similar surfaces
- Cleaning surfaces painted or varnished with paints containing lead
- Cleaning surfaces which come into contact with foodstuffs
- Cleaning the pressure washer itself

## 4.3 Requirements concerning the User

### ⚠ WARNING

- Users who have not received instruction are not aware of and cannot assess the dangers of the pressure washer. The user or other people may be seriously injured or killed.



- ▶ Read the Instruction Manual, make sure you have understood it and keep it in a safe place for reference.

- ▶ If allowing another person to use the pressure washer: Give them the Instruction Manual as well.
- ▶ Make sure that the user fulfills the following requirements:
  - The user is rested.
  - The user is physically, sensorially and mentally able to operate the pressure washer and to work with it.
  - The user can identify and assess the dangers of the pressure washer.
  - The user is of legal age or the user is trained in a profession in accordance with national regulations under supervision.
  - The user has received instruction from a STIHL servicing dealer or other expert before operating the pressure washer for the first time.
  - The user is not under the influence of alcohol, medicines or drugs.
- ▶ If in any doubt: Contact a STIHL servicing dealer.



#### 4.4 Clothing and equipment

### **⚠** WARNING

- Objects may be thrown into the air at high speed while working. The user may be injured.
  - ▶ Wear close fitting safety glasses. Suitable safety glasses tested to standard EN 166 or national standards and bearing the corresponding mark are available to buy.
- ▶ Wear a long sleeved, close fitting top and long trousers.
- Spray (aerosols) may form while operating. Breathing in aerosols can be harmful to health and trigger allergic reactions.
  - ▶ Carry out a risk assessment according to the surface to be cleaned and the surrounding area.
  - ▶ If the risk assessment shows formation of aerosols: Wear a respirator of protection class FFP2 or equivalent protection class.
- Wearing unsuitable footwear can cause the user to slip and fall. The user may be injured.
  - ▶ Wear sturdy, enclosed footwear with non-slip soles.



#### 4.5 Work area and surroundings

### **⚠** WARNING

- Bystanders, children and animals are not aware of the dangers of the pressure washer and objects being thrown into the air and cannot assess them. Bystanders, children and animals may be seriously injured and property may be damaged.
  - ▶ Keep bystanders, children and animals away from the work area.
  - ▶ Do not leave the pressure washer unattended.
  - ▶ Ensure that children cannot play with the pressure washer.

- If you work in the rain or in a damp environment, an electric shock may occur. The user may be seriously injured or killed and the pressure washer may be damaged.
  - ▶ Do not use in rain.
  - ▶ Position the pressure washer so that it will not be wet by dripping water.
  - ▶ Position the pressure washer outside the wet work area.
- Electrical components of the pressure washer can produce sparks. Sparks can cause fires and explosions in a flammable or explosive environment. This can result in serious injuries or death and damage to property.
  - ▶ Do not work in a flammable environment or in an explosive environment.

#### 4.6 Safe condition

The pressure washer is in a safe condition if the following conditions are fulfilled:

- The pressure washer is undamaged.
- The high-pressure hose, the couplings and the spray attachment are undamaged.
- The spray attachment is correctly attached.
- The connecting cord, the extension cord and their plugs are undamaged.
- The pressure washer is clean and dry.
- The spray attachment is clean.
- The controls work and they have not been modified.
- Only an original STIHL accessory for this pressure washer is fitted.
- The accessory is correctly fitted.

## **⚠ WARNING**

- Parts that are not in a safe condition cannot function properly and safety devices can be disabled. People can be seriously injured or killed.
  - ▶ Never use a damaged pressure washer.
  - ▶ Never use a damaged high-pressure hose, couplings or spray attachment.
  - ▶ Always attach the spray attachment as described in this Instruction Manual.
  - ▶ Never use a damaged connecting cord, extension cord or mains plug.
  - ▶ If the pressure washer is dirty or wet: clean the pressure washer and allow it to dry.
  - ▶ If the spray attachment is dirty: Clean the spray attachment.
  - ▶ Do not modify the pressure washer.
  - ▶ If the controls do not work: Do not operate the pressure washer.
  - ▶ Only fit original STIHL accessories for this pressure washer.
  - ▶ Fit the accessories as described in this Instruction Manual or in the Instruction Manual for the accessory.
  - ▶ Do not insert objects into the openings in the pressure washer.
  - ▶ If in any doubt: Contact a STIHL servicing dealer.

### 4.7 Operation

## **⚠ WARNING**

- In certain situations the user may no longer be able to concentrate on the job. The user may trip, fall and be seriously injured.
  - ▶ Keep calm and plan your work.
  - ▶ In poor light conditions and poor visibility: Do not operate the pressure washer.
  - ▶ Use the pressure washer on your own.

- ▶ Watch out for obstacles.
- ▶ Stand safely on the ground when operating the pressure washer and keep your balance. If you have to work at a height: use a lift bucket or secure scaffolding.
- ▶ If you experience signs of fatigue: Take a break.
- If the pressure washer starts behaving differently or in an unusual way while operating, the pressure washer may be in an unsafe condition. This can result in serious injuries and damage to property.
  - ▶ Stop working, unplug the mains plug from the socket and consult a STIHL servicing dealer.
  - ▶ The pressure washer must always be operated in an upright position.
  - ▶ To ensure an adequate exchange of cooling air, do not cover the pressure washer.
- When the spray gun trigger is released, the high-pressure pump switches off automatically and water stops flowing out of the nozzle. The pressure washer is then in stand-by mode and is still switched on. If the spray gun trigger is squeezed, the high-pressure pump switches on again automatically and water flows out of the nozzle. This can result in serious injuries and damage to property.
  - ▶ When not operating the machine: Lock the spray gun trigger.



- ▶ Switch off pressure washer.

- ▶ Unplug the mains plug of the pressure washer from the socket.

- At temperatures below 0° C water can freeze on the surface to be cleaned and in the components of the pressure washer. The user may slip, fall and be seriously injured. Property may be damaged.
  - ▶ Do not use the pressure washer at temperatures below 0° C.
- Pulling on the high-pressure hose, water hose or connecting cord can cause the pressure washer to move and topple over. Property may be damaged.
  - ▶ Do not pull on the high-pressure hose, water hose or connecting cord.
- If the pressure washer is placed on a sloping, uneven or soft surface it may move and topple over. Property may be damaged.
  - ▶ Place the pressure washer on a horizontal, flat, hard surface.
- If working at a height, the pressure washer or the spray attachment may fall to the ground. This can result in serious injuries and damage to property.
  - ▶ Use a lift bucket or secure scaffolding.
  - ▶ Do not place the pressure washer in a lift bucket or on scaffolding.
  - ▶ If the high-pressure hose does not have sufficient reach: Extend the high-pressure hose by connecting a high-pressure hose extension.
  - ▶ Secure the spray attachment so that it cannot fall.
- The water jet may detach asbestos fibers from surfaces. Asbestos fibers may spread through the air after drying and be breathed in. Breathing in asbestos fibers can be harmful to health.
  - ▶ Do not clean surfaces containing asbestos.
- The water jet may remove oil from vehicles or machinery. The oily water may enter the soil, the water system or the drains. That would create an environmental hazard.
  - ▶ Vehicles or machinery should only be cleaned at places where there is an oil trap in the water drain.
- In combination with leaded paint the water jet can form leaded aerosols and leaded water. Leaded aerosols and leaded water may enter the soil, the water system or the drains. Breathing in aerosols can be harmful to health and trigger allergic reactions. That would create an environmental hazard.
  - ▶ Do not clean surfaces that are painted or lacquered with leaded paint.
- The water jet can damage sensitive surfaces. Property may be damaged.
  - ▶ Do not clean sensitive surfaces with the rotary nozzle.
  - ▶ Sensitive surfaces made of rubber, fabric, wood and similar materials should be cleaned at a lower operating pressure and from a greater distance.
- If while in use the rotary nozzle is immersed in dirty water and then operated, the rotary nozzle may be damaged.
  - ▶ Do not use the rotary nozzle with dirty water.
  - ▶ If cleaning a container: Empty the container and allow the water to flow away while cleaning it.

- Drawing in flammable and explosive liquids can cause fires and explosions. This can result in serious injuries or death and damage to property.

- ▶ Do not draw in or spray flammable or explosive liquids.

- Drawing in irritant, corrosive and toxic liquids can endanger health and damage components of the pressure washer. This can result in serious injuries or death and damage to property.

- ▶ Do not draw in or spray irritant, corrosive or toxic liquids.

- The strong water jet can seriously injure people and animals and cause damage to property.



- ▶ Do not direct the water jet at people or animals.

- ▶ Do not direct the water jet at places that are not fully visible.

- ▶ Do not use the water jet to clean clothing while wearing it.

- ▶ Do not use the water jet to clean shoes or boots while wearing them.

- If electrical equipment, electrical connections, sockets and live power cords come into contact with water, electric shock may result. This can result in serious injuries or death and damage to property.



- ▶ Do not direct the water jet at electrical equipment, electrical connections, sockets or live power cords.

- ▶ Do not direct the water jet at the connecting cord or extension cord.

- If electrical appliances or the pressure washer come into contact with water, electric shock may result. The user may be seriously injured or killed and property may be damaged.



- ▶ Do not direct the water jet at electrical appliances or at the pressure washer.

- ▶ Keep electrical appliances and the pressure washer away from the surface to be cleaned.

- An incorrectly routed high-pressure hose may suffer damage. As a result of the damage, water under high pressure may escape uncontrolled into the surrounding area. This can result in serious injuries and damage to property.

- ▶ Do not direct the water jet at the high-pressure hose.

- ▶ Route the high-pressure hose so that it is not under tension or tangled.

- ▶ Route the high-pressure hose so that it will not be damaged, kinked or crushed, or chafed.

- ▶ Protect the high-pressure hose from heat, oil and chemicals.

- An incorrectly routed water hose may suffer damage and people may trip over it. People may be injured and the water hose may be damaged.

- ▶ Do not direct the water jet at the water hose.

- ▶ Route and mark the water hose so that people will not trip over it.

- ▶ Route the water hose so that it is not under tension or tangled.

- ▶ Route the water hose so that it will not be damaged, kinked or crushed, or chafed.

- ▶ Protect the water hose from heat, oil and chemicals.

- The strong water jet produces reactive forces. The reactive forces occurring may cause the user to lose control of the spray attachment. The user may be seriously injured and property may be damaged.

- ▶ Hold the spray gun firmly with both hands.

- ▶ Always use the pressure washer as described in this Instruction Manual.

## 4.8 Detergents

### ⚠ WARNING

- If detergents come into contact with the skin or eyes, the skin or eyes may be irritated.
  - ▶ Observe the Instruction Manual for the detergent.
  - ▶ Avoid contact with detergents.
  - ▶ If skin contact occurs: Wash affected areas of skin with plenty of water and soap.
  - ▶ If eye contact occurs: Flush eyes with plenty of water for at least 15 minutes and consult a doctor.
- Using the wrong detergent can damage the pressure washer or the surface of the object being cleaned and be harmful to the environment.
  - ▶ Use detergents that are approved for use with high-pressure cleaners.
  - ▶ Observe the Instruction Manual for the detergent.
  - ▶ If in any doubt: Contact a STIHL servicing dealer.

## 4.9 Connecting the water supply

### ⚠ WARNING

- Releasing the spray gun trigger causes a kickback in the water hose. A kickback can force dirty water back into the drinking water main. This can pollute the drinking water.



- ▶ Do not connect the pressure washer directly to the drinking water main.

- ▶ A backflow preventer complying with the applicable regulations should be fitted in-line when connecting a pressure washer to the drinking water main. If drinking water has passed through the backflow preventer, it can no longer be regarded as drinking water.

- Dirty or sandy water can damage components of the pressure washer.
  - ▶ Use clean water.
  - ▶ If using dirty or sandy water: Use a water filter with the pressure washer.
- If the water supply to the pressure washer is insufficient, components of the pressure washer may be damaged.
  - ▶ Turn tap fully on.
  - ▶ Make sure there is a sufficient supply of water to the pressure washer, 19.

## 4.10 Connecting to the power supply

Contact with live parts can occur for the following reasons:

- The connecting cord or the extension cord is damaged.
- The mains plug of the connecting cord or extension cord is damaged.
- The socket is not properly installed.



### ⚠ DANGER

- Contact with live parts can result in electric shock. The user may be seriously injured or killed.
  - ▶ Make sure that the connecting cord, extension cord and their plugs are undamaged.



If the connecting cord or the extension cord is damaged:

- ▶ Do not touch the damaged areas.
- ▶ Unplug the mains plug from the socket.
- ▶ Make sure your hands are dry before touching the connecting cord, extension cord or plugs.
- ▶ Plug the mains plug of the connecting cord or extension cord into a properly installed, shockproof socket with the correct fuse rating.
- ▶ Connect the pressure washer via a residual current circuit breaker (30 mA, 30 ms).

- A damaged or unsuitable extension cord can result in electric shock. People can be seriously injured or killed.
  - ▶ Use an extension cord with the correct cross-section,  19.3.
  - ▶ Only use an extension cord which is splash-proof and approved for outdoor use.
  - ▶ Use an extension cord that has the same characteristics as the connecting cord of the pressure washer,  19.3

## WARNING

- During operation, an incorrect mains voltage or incorrect mains frequency may result in an overvoltage in the pressure washer. The pressure washer may be damaged.
  - ▶ Make sure that the mains voltage and the mains frequency of the power supply match the data on the rating plate of the pressure washer.
- Electrical components may be overloaded during operation if more than one electric power tool is connected to a multiple socket. The electrical components may heat up and a fire may break out. This can result in serious injuries or death and damage to property.
  - ▶ Only ever connect one pressure washer to one socket.
  - ▶ Do not connect pressure washers to multiple sockets.
- An incorrectly routed connecting cord or extension cord may be damaged and people may trip over it. People may be injured and the connecting cord or extension cord may be damaged.
  - ▶ Route the connecting cord and extension cord so that the water jet cannot touch them.
  - ▶ Route and mark the connecting cord and extension cord so that people will not trip over them.
  - ▶ Route the connecting cord and extension cord so that they are not under tension or tangled.
  - ▶ Route the connecting cord and extension cord so that they will not be damaged, kinked or crushed and will not be chafed.
  - ▶ Protect the connecting cord and extension cord from heat, oil and chemicals.

- ▶ Lay the connecting cord and extension cord on a dry surface.
- The extension cord warms up in operation. If that heat cannot escape, it may cause a fire.
  - ▶ If using a cable reel: Completely unroll the cable reel.

### 4.11 Transport

## WARNING

- The pressure washer may topple over or move during transport. This can result in injuries and damage to property.
  - ▶ Lock spray gun trigger.



- ▶ Switch off pressure washer.
- ▶ Unplug the mains plug of the pressure washer from the socket.
- ▶ Empty detergent container and insert it into the pressure washer.
- ▶ Secure the pressure washer using lashing straps, belts or a net so that it cannot topple over and cannot move.
- At temperatures below 0 °C water may freeze in components of the pressure washer. The pressure washer may be damaged.
  - ▶ Drain high-pressure hose and spray attachment.



- ▶ If the pressure washer cannot be transported in a frost-proof environment: Protect the pressure washer using a glycol-based antifreeze.

## 4.12 Storage

**⚠ WARNING**

- Children are not aware of and cannot assess the dangers of the pressure washer. Children can be seriously injured.
  - ▶ Lock spray gun trigger.



- ▶ Switch off pressure washer.

- ▶ Unplug the mains plug of the pressure washer from the socket.
- ▶ Store the pressure washer out of the reach of children.
- Moisture may cause the electrical contacts on the pressure washer and metal components to corrode. The pressure washer may be damaged.
  - ▶ Store the pressure washer in a clean, dry state.
- At temperatures below 0 °C water may freeze in components of the pressure washer. The pressure washer may be damaged.
  - ▶ Drain high-pressure hose and spray attachment.



- ▶ If the pressure washer cannot be stored in a frost-free environment: Protect the pressure washer using a glycol-based antifreeze.

## 4.13 Cleaning, servicing and repairs

**⚠ WARNING**

- If the mains plug is plugged into a socket when carrying out cleaning, servicing or repairs, it is possible for the pressure washer to be switched on inadvertently. This can result in serious injuries and damage to property.
  - ▶ Lock the spray gun trigger.



- ▶ Switch off pressure washer.

- ▶ Unplug the mains plug of the pressure washer from the socket.
- Harsh detergents, cleaning with a water jet or sharp objects can damage the pressure washer. If the pressure washer is not properly cleaned, parts may not function properly and safety devices can be disabled. People can be seriously injured.
  - ▶ Always clean the pressure washer as described in this Instruction Manual.
- If the pressure washer is not properly serviced or repaired, parts may not function properly and safety devices can be disabled. People can be seriously injured or killed.
  - ▶ Do not attempt to service or repair the pressure washer yourself.
  - ▶ If the connecting cord is faulty or damaged: Have the connecting cord replaced by a STIHL servicing dealer.
  - ▶ If the pressure washer needs to be serviced or repaired: Contact a STIHL servicing dealer.

## 5 Safety instructions - Accessories

### 5.1 Spray lance extension, surface cleaner, pipe cleaning kit, angled spray lance and angled nozzle

#### Spray lance extension

#### **▲ WARNING**

- The spray lance extension increases the reaction forces. The user may lose control of the spraying system due to the reaction forces that occur. The user may be seriously injured and property damage may occur.
  - ▶ Only attaching a jet pipe extension
  - ▶ Hold the spray gun with both hands.
  - ▶ Work as described in this manual.

#### Surface cleaner

#### **▲ WARNING**

- The water jet can injure the user.
  - ▶ Do not reach under the surface cleaner.

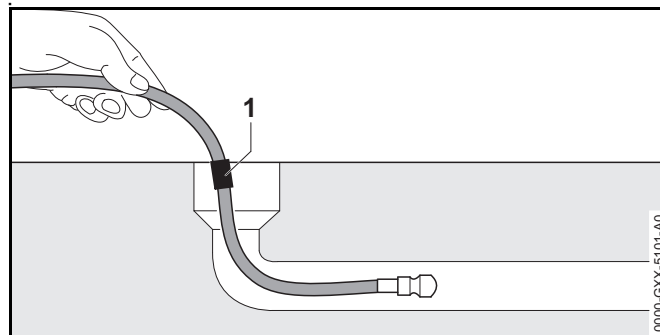


- ▶ Hold and guide the surface cleaner as described in the Instruction Manual of the surface cleaner.

#### Pipe cleaning kit

#### **▲ WARNING**

- The pipe cleaning hose increases the reaction forces. If the spray gun lever is pressed and the pipe cleaning hose is outside the pipe, the pipe cleaning hose may turn uncontrolled. The user may lose control of the pipe cleaning hose. The user may be seriously injured and property damage may occur.



- ▶ Only switch on the high-pressure cleaner and press the spray gun lever when the pipe cleaning hose has been pushed into the pipe up to the mark (1).
- ▶ When the mark on the pipe cleaning hose is visible when it is pulled out:
  - Release spray gun trigger
  - Switch off pressure washer
  - Turn off water supply
  - Actuate spray gun: The water pressure is released
  - Lock spray gun trigger
- Within a large pipe, the pipe cleaning hose can change direction and come out of the opening of the pipe again. The user may lose control of the pipe cleaning hose. The user may be seriously injured and property damage may occur.
  - ▶ Watch the pipe.
  - ▶ If the nozzle comes out of the pipe from the pipe cleaning hose:
    - Release spray gun trigger
    - Lock spray gun trigger
    - Switch off pressure washer














## Angled spray lance and angled nozzle

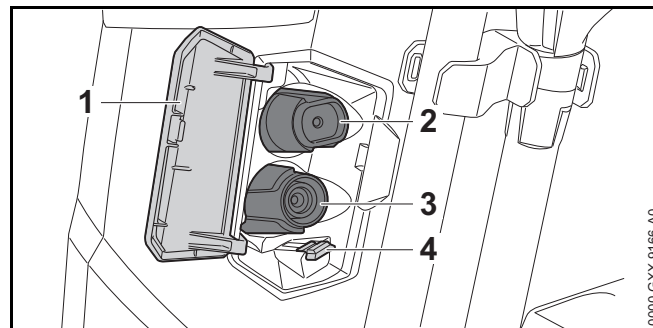
**⚠ WARNING**

- An angled spray lance and the angled nozzle increase the lateral reaction forces. The user may lose control of the spraying system due to the reaction forces that occur. The user may be seriously injured and property damage may occur.
  - ▶ Only attaching a jet pipe extension
  - ▶ Hold the spray gun with both hands.
  - ▶ Work as described in this manual.

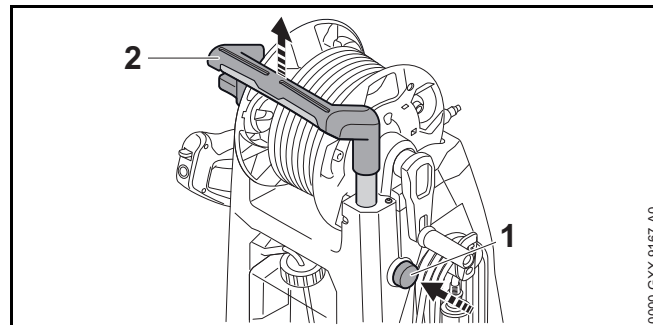
**6 Preparing the pressure washer for operation****6.1 Making the pressure washer ready for use**

The following steps must be carried out every time before starting work:

- ▶  4.6
- ▶ Clean the pressure washer,  15.1.
- ▶ If a water filter is used: Check water filter for dirt and clean if dirty,  15.4.
- ▶ Set up the pressure washer on a firm and level base, where it will not slide or tip over.
- ▶ Unroll high-pressure hose from hose reel,  11.2.
- ▶ Connect spray gun,  7.3.1.
- ▶ Fit spray lance,  7.4.1.
- ▶ If a nozzle is used: Attach nozzle,  7.5.1.
- ▶ If a detergent is used: Working with detergent and detergent container,  11.6.3.
- ▶ If using an accessory: Fit accessory,  5.1.
- ▶ Connect water supply,  8.1.
- ▶ Connect pressure washer to power supply,  9.1.
- ▶ If it is not possible to carry out these steps: Do not use the pressure washer and consult a STIHL servicing dealer.

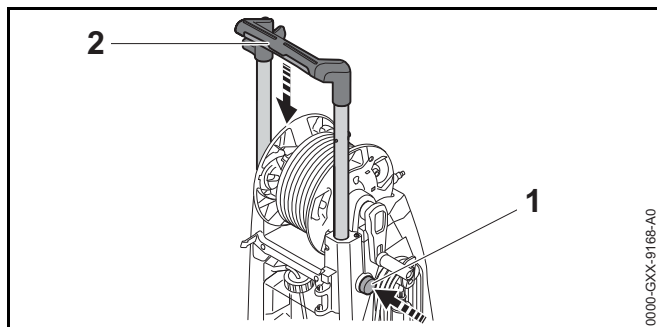
**7 Assembling the pressure washer****7.1 Assembling the pressure washer****Insert nozzles and cleaning pin**

- ▶ Open flap (1).
- ▶ Insert fan-jet nozzle (2) and rotary nozzle (3).
- ▶ Insert cleaning pin (4).

**7.2 Pulling out and pushing in the handle****7.2.1 Removing handle**

- ▶ Press trigger switch lockout (1) and pull out handle (2).
- ▶ Release trigger switch lockout (1) and pull out handle (2) until it audibly engages.

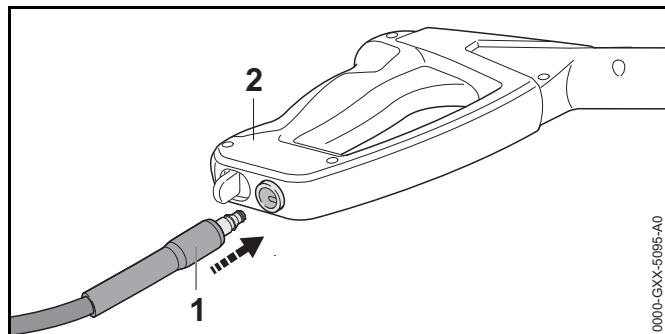
### 7.2.2 Inserting handle



- ▶ Press trigger switch lockout (1) and insert handle (2).
- ▶ Release trigger switch lockout (1) and insert handle (2) until it audibly engages.

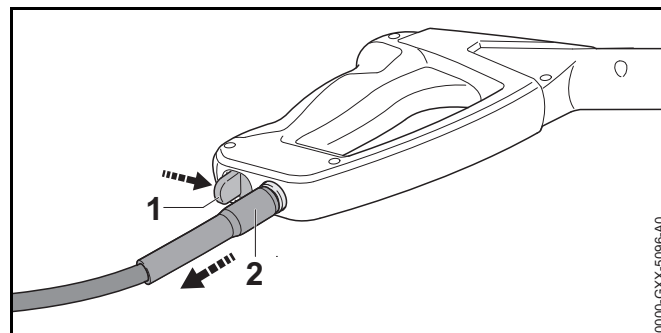
## 7.3 Attaching and removing the spray gun

### 7.3.1 Attaching the spray gun



- ▶ Push connector (1) into spray gun (2). The connector (1) audibly engages.
- ▶ If the connector cannot be pushed easily into the spray gun (2): Grease the gasket on the connector (1) with grease for fittings.

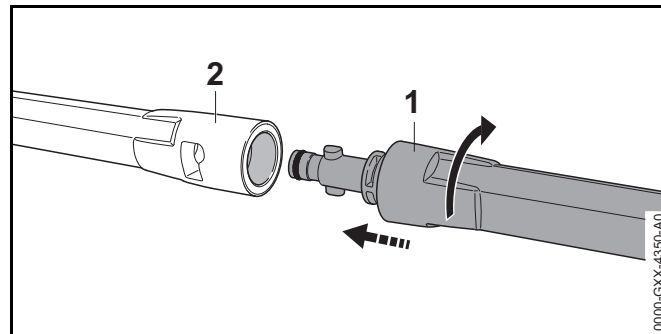
### 7.3.2 Removing the spray gun



- ▶ Press and hold the locking lever (1).
- ▶ Pull out connector (2).

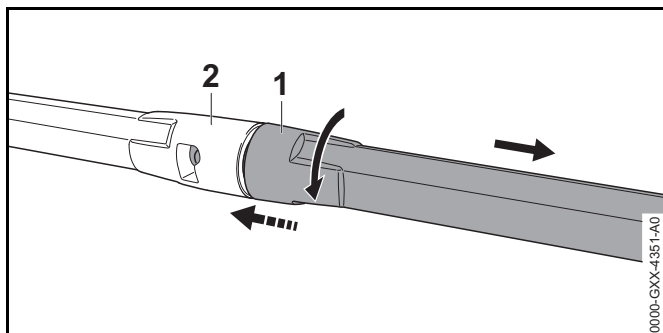
## 7.4 Attaching and removing the spray lance

### 7.4.1 Attaching the spray lance



- ▶ Push spray lance (1) into spray gun (2).
- ▶ Twist the spray lance (1) until it engages.
- ▶ If the spray lance (1) cannot be pushed easily into the spray gun (2): Grease the gasket on the spray lance (1) with grease for fittings.

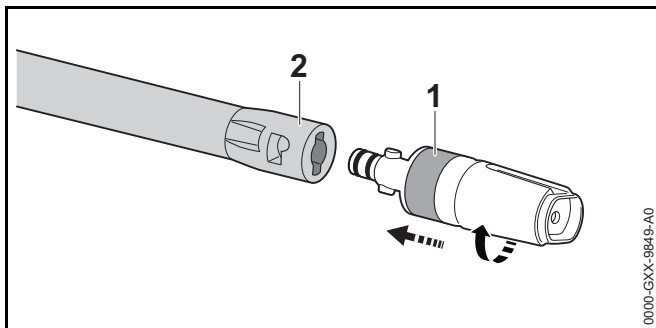
## 7.4.2 Removing the spray lance



- ▶ Squeeze spray lance (1) and spray gun (2) together and twist as far as they will go.
- ▶ Pull spray lance (1) and spray gun (2) apart.

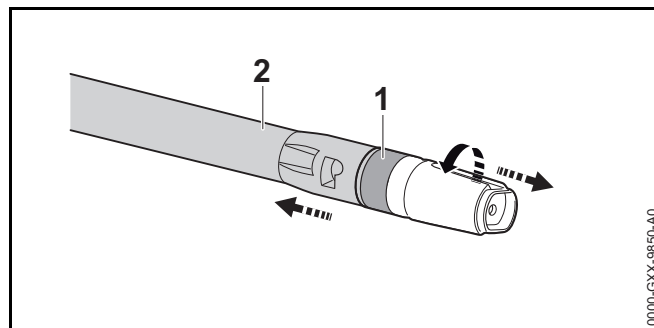
## 7.5 Attaching and removing the nozzle

## 7.5.1 Attaching the nozzle



- ▶ Push nozzle (1) onto the spray lance (2).
- ▶ Twist nozzle (1) until it locks into position.
- ▶ If it is difficult to slide the nozzle (1) into the spray lance: Grease the gasket on the nozzle (1) with a fitting grease.

## 7.5.2 Removing the nozzle



- ▶ Press nozzle (1) and spray lance (2) together and turn until stop.
- ▶ Pull nozzle (1) and spray lance (2) apart.

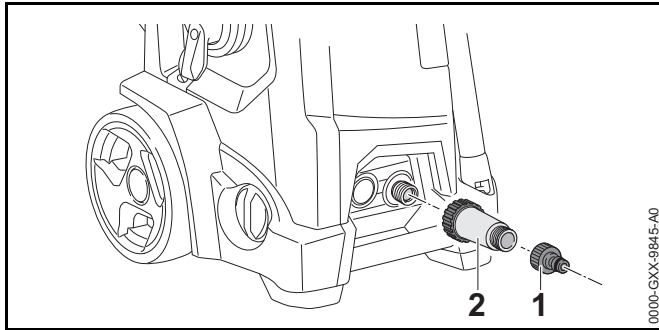
## 8 Connecting to a water source

## 8.1 Connecting the pressure washer to the water supply

## Connecting the water filter

If the pressure washer is operated with sandy water or water from cisterns, a water filter must be connected to the pressure washer. The water filter filters sand and dirt out of the water and thus protects the components of the pressure washer from damage.

Depending on the market, the water filter may be included with the pressure washer.

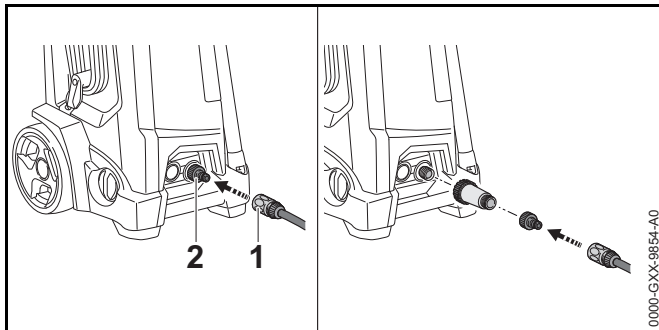


- ▶ Unscrew connector (1).
- ▶ Screw water filter (2) onto the water supply and tighten by hand.
- ▶ Screw connector (1) onto water filter (2) and tighten by hand.

### Connecting the water hose

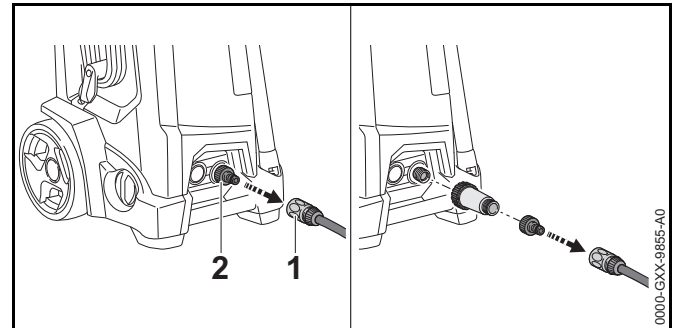
The water hose must meet the following requirements:

- The water hose has a diameter of 1/2".
- The water hose is between 10 m and 25 m long.
- ▶ Connect water hose to a water tap.
- ▶ Turn on the water tap fully and rinse the water hose with water.  
Sand and dirt will be rinsed out of the water hose. The water hose will be vented.
- ▶ Turn off water tap.



- ▶ Push the coupling (1) onto the connector (2).  
The coupling (1) audibly engages.
- ▶ Open water tap fully.
- ▶ If the spray lance is fitted to the spray gun: Remove spray lance.
- ▶ Keep the trigger of the spray gun pressed until an even jet of water is delivered by the spray gun.
- ▶ Release spray gun trigger.
- ▶ Lock spray gun trigger.
- ▶ Fit spray lance.
- ▶ Attach the nozzle.

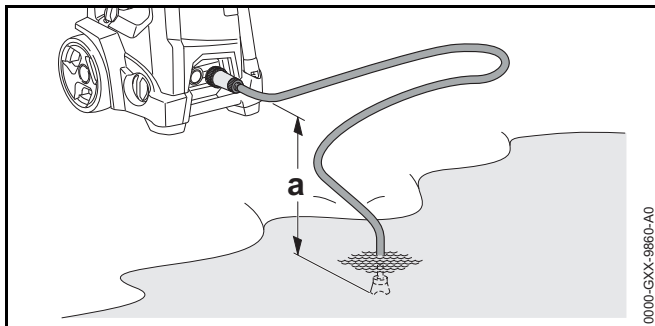
### Removing the water hose



- ▶ Turn off water tap.
- ▶ To release the coupling: Pull or turn ring (1) and hold.
- ▶ Pull the coupling off the connector (2).

## 8.2 Connecting the pressure washer to another water supply

The pressure washer can draw in water from water butts, cisterns and flowing or still rivers and lakes.



So that the water can be drawn in, the height difference between the pressure washer and the water source must not exceed the max. suction lift (a), 19.1.

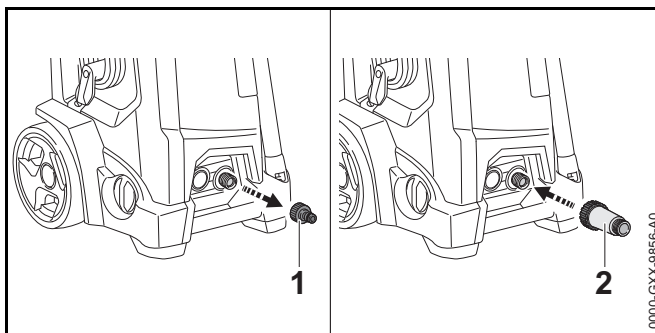
The appropriate STIHL suction set must be used. The suction set includes a water hose with a special coupling.

Depending on the market, the appropriate STIHL suction set may be included.

### Connect the water filter

If the pressure washer is operated with water containing sand from water butts, cisterns or from flowing or still rivers and lakes, a water filter must be connected to the pressure washer.

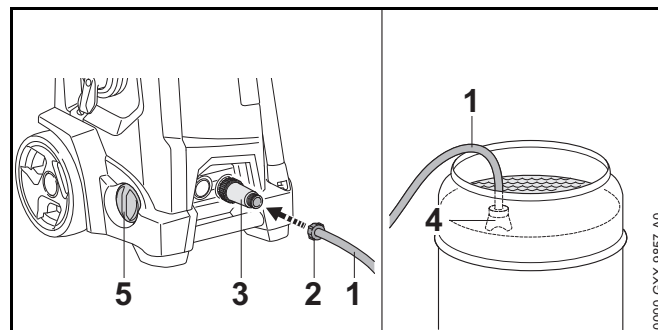
Depending on the market, the water filter may be included with the pressure washer.



- ▶ Unscrew connector (1).

- ▶ Screw water filter (2) onto the water supply and tighten by hand.

### Connect the water hose



- ▶ Fill the water hose (1) with water so that no air is present in the water hose any more.
- ▶ Screw coupling (2) onto the connector of the water filter (3) and tighten by hand.
- ▶ Attach suction cup (4) to the water source so that the suction cup (4) does not touch the ground.
- ▶ Turn rotary control (5) in direction + up to the stop.
- ▶ If the spray gun is fitted to the high-pressure hose: Remove spray gun.
- ▶ Hold high-pressure hose downwards.
- ▶ Switch on pressure washer until an even water jet flows out of the high-pressure hose.

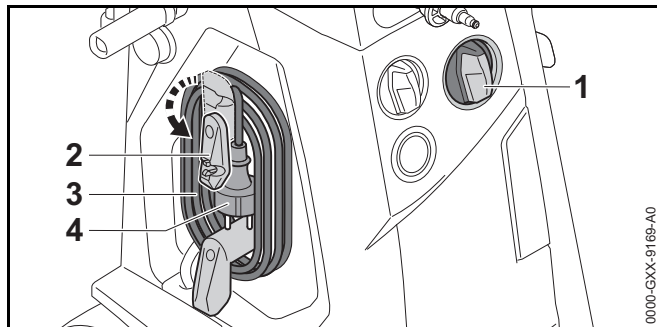
### NOTICE

If the pressure washer does not suck in water, the pump may run dry and the pressure washer may be damaged.

- ▶ If no water escapes from the high-pressure hose after two minutes: Switch off pressure washer and check water supply.
- ▶ Switch off pressure washer.
- ▶ Connect the spray gun to the high-pressure hose.
- ▶ Press and hold down spray gun trigger.
- ▶ Switch on pressure washer.

## 9 Connecting the pressure washer to the power supply


### 9.1 Connecting the pressure washer to the power supply



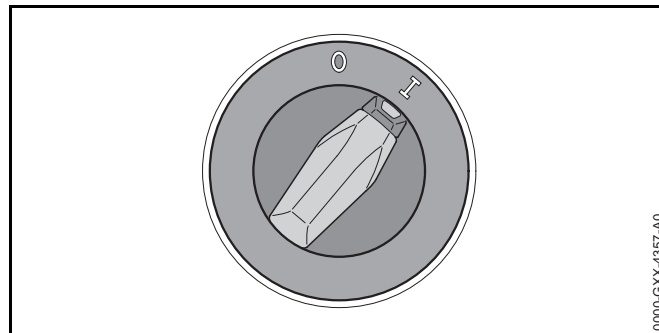
- ▶ Turn the rotary switch (1) to the **0** position.
- ▶ Swivel lower holder (2) downwards.
- ▶ Remove connecting cord (3).
- ▶ Plug the plug (4) of the connecting cord into a correctly installed socket.

## 10 Switching the pressure washer on and off

### 10.1 Switching on the pressure washer

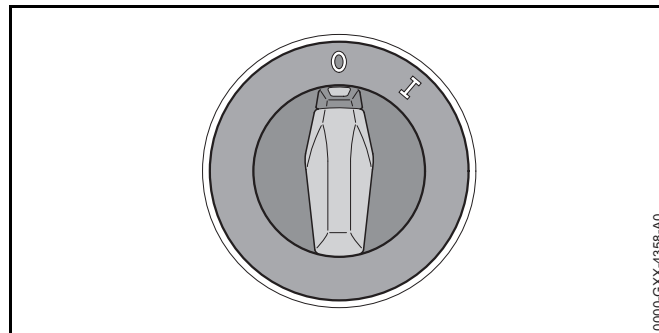
When the pressure washer is switched on, voltage fluctuations may occur under unfavourable mains conditions. The voltage fluctuations can affect other connected power consumers. Observe mains impedance,  19.

### 9 Connecting the pressure washer to the power supply



- ▶ Turn the rotary switch to the **I** position.

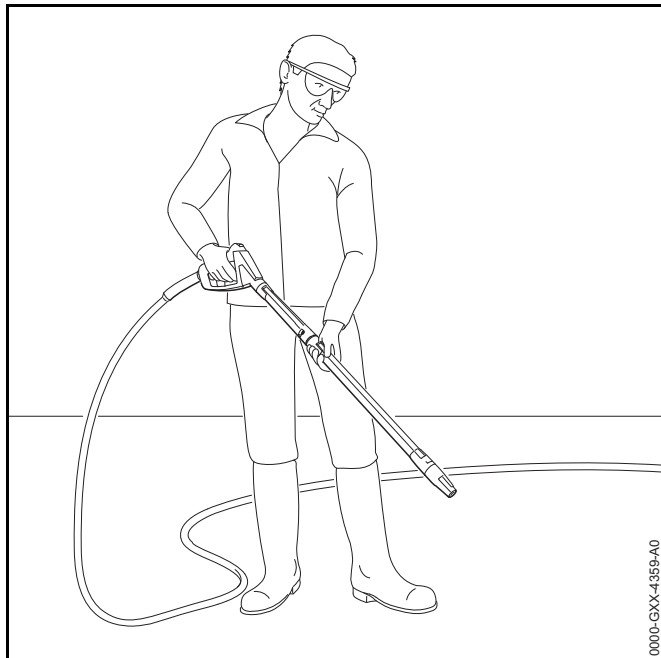
### 10.2 Switching off the pressure washer



- ▶ Turn the rotary switch to the **0** position.

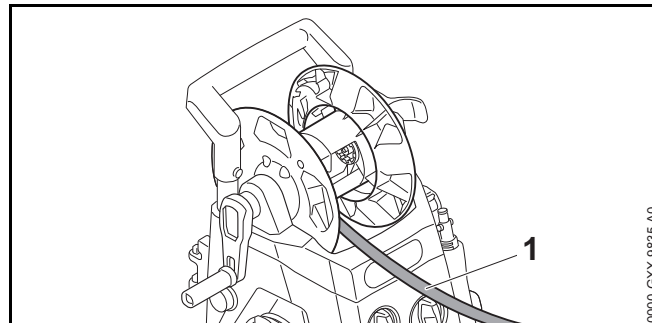
## 11 Operating the pressure washer

### 11.1 Holding and controlling the spray gun



- ▶ Hold the spray gun by the handle with one hand, wrapping your thumb around the handle.
- ▶ Hold the spray lance firmly with your other hand, wrapping your thumb around the spray lance.
- ▶ Point the nozzle at the ground.

### 11.2 Unrolling the high-pressure hose

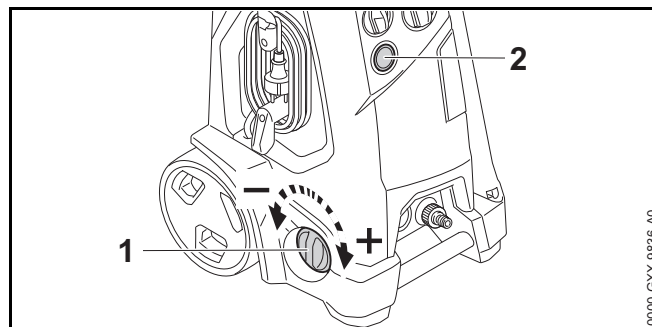


#### **⚠ WARNING**

When the lever of the spray gun is released, a recoil occurs in the high-pressure hose. A recoil expands the high-pressure hose. If the high-pressure hose is not completely unrolled from the hose reel, there is no room for the high-pressure hose to expand and the high-pressure hose may be damaged. Water can escape uncontrollably into the environment at high pressure. This can result in serious injuries and damage to property.

- ▶ Completely unroll high-pressure hose.
- 
- ▶ Completely unroll high-pressure hose (1).

### 11.3 Setting the working pressure and the water flow rate



Increase working pressure and water flow rate

- ▶ Turn rotary control (1) towards +.

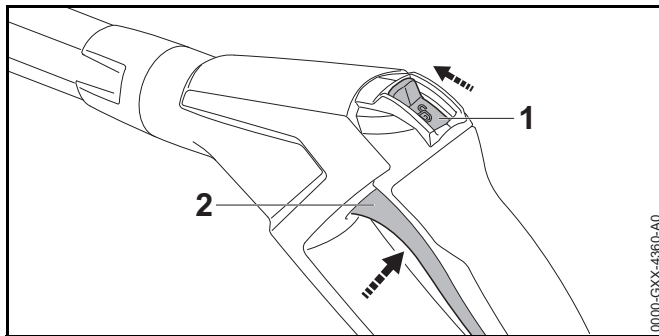
Decrease working pressure and water flow rate

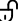
- ▶ Turn rotary control (1) towards –.

The pressure in the high-pressure pump is indicated by the pressure gauge (2).

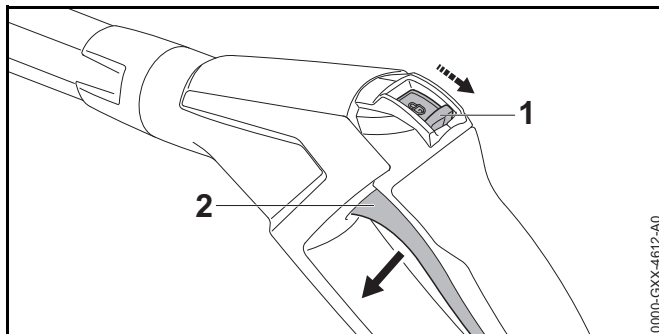
## 11.4 Pressing and locking the spray gun lever

Press spray gun lever




- ▶ Move retaining latch (1) to the  position.
- ▶ Press and hold lever (2).  
The high pressure pump switches on automatically and water flows out of the nozzle.

Lock spray gun lever



- ▶ Release lever (2)

The high pressure pump switches off automatically and water no longer flows out of the nozzle. The pressure washer is still switched on.

- ▶ Move retaining latch (1) to the  position.

## 11.5 Cleaning

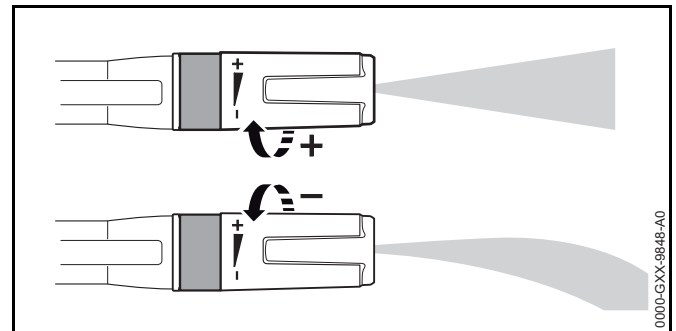
The following nozzles can be used depending on the application:

- Fan-jet nozzle: The fan jet nozzle is suitable for cleaning large surfaces.
- Rotary nozzle: The rotary nozzle is suitable for removing stubborn dirt.

Work can be carried out at a small distance if stubborn dirt is to be removed.

Work can be carried out at a great distance if the following surfaces are to be cleaned:

- Varnished surfaces
- Surfaces made of wood
- Rubber surfaces



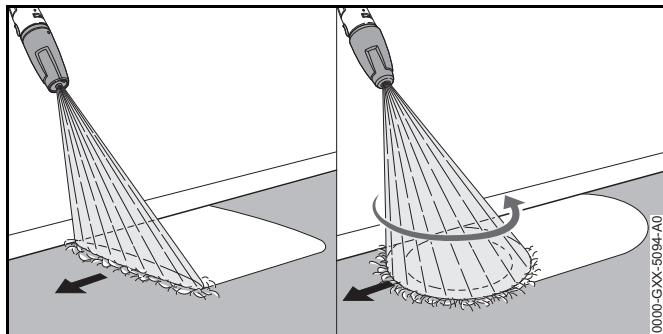
The fan jet nozzle can be adjusted.

If the flat jet nozzle is turned in the + direction, the working pressure increases.

If the flat jet nozzle is turned in the – direction, the working pressure decreases.



- ▶ Before cleaning, point the water jet at an inconspicuous spot on the surface and check that the surface is not damaged.
- ▶ Select the distance between the nozzle and the surface to be cleaned so that the surface to be cleaned is not damaged.
- ▶ Adjust the flat spray nozzle so that the surface to be cleaned is not damaged.

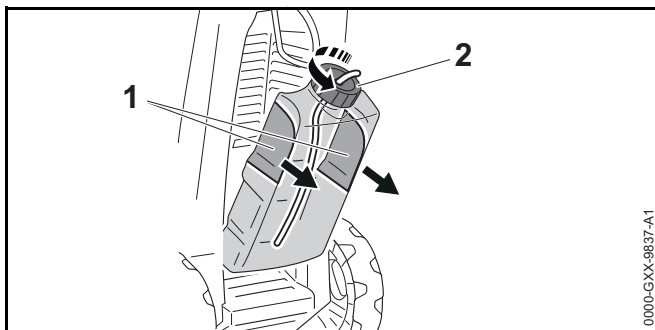


- ▶ Move the spraying equipment evenly along the surface to be cleaned.
- ▶ Move forward slowly, in a controlled manner.

## 11.6 Working with detergent

### 11.6.1 Suction of detergent

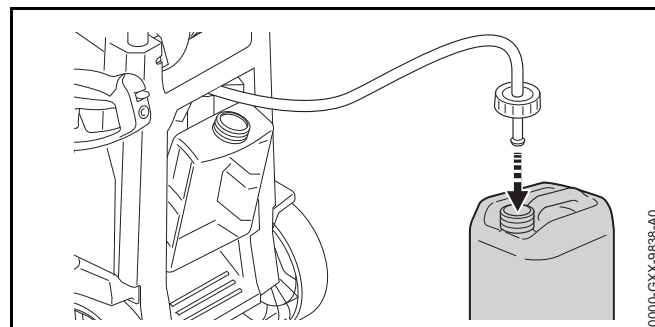
Detergents can increase the cleaning effect of the water. STIHL recommends the use of genuine STIHL detergents.



- ▶ Grasp the recessed grip (1) of the detergent container and remove it.
- ▶ Unscrew cover (2).
- ▶ Dose and use detergent as described in the Instruction Manual of the surface cleaner.
- ▶ Turn the cover onto the detergent container and tighten it firmly by hand.
- ▶ Grasp the recessed grip of the detergent container and insert it into the pressure washer.

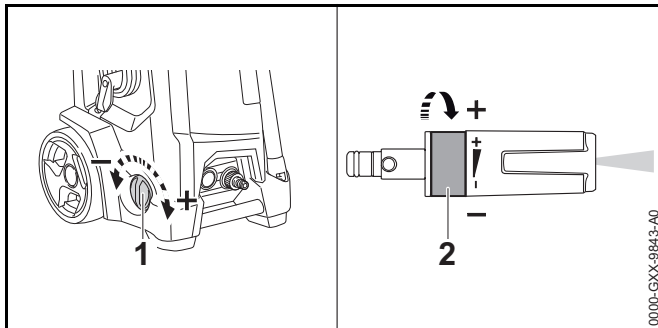
### 11.6.2 Suction of detergent from separate detergent container

The cover of the detergent container has a standard thread and fits all standard detergent containers. A separate detergent container may be used.

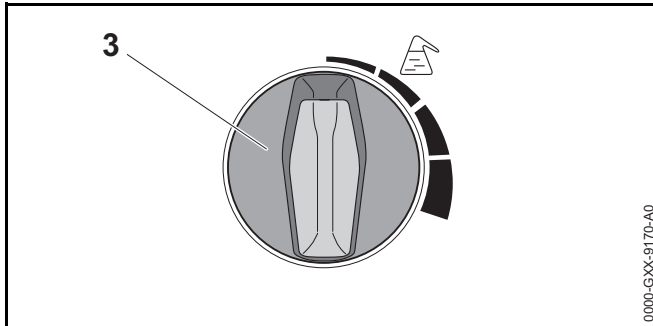


- ▶ Remove detergent container.
- ▶ Unscrew cover of detergent container
- ▶ Screw the cap with intake hose onto a separate detergent container

### 11.6.3 Working with detergent



- ▶ Turn rotary handle in direction + up to the stop.
- ▶ Turn fan jet nozzle (2) in direction - up to the stop.



- ▶ Set the desired dosage.
  - ▶ Turn dosing handle (3) to the right (up to 5 %).  
The addition of detergents is increased.
  - ▶ Turn dosing handle (3) to the left (up to 0 %).  
The addition of detergents is reduced.
  - ▶ If the detergent concentration needs to be adjusted accurately: Measure and calculate detergent concentration.
- ▶ Soak extremely dirty surfaces with water before cleaning them.
- ▶ Press the spray gun lever and spray the detergent onto the surface to be cleaned.
- ▶ Apply the detergent starting at the bottom and working up and do not allow to dry.

- ▶ Turn the dosing handle to the left as far as it will go.  
Detergent is no longer sucked in.
- ▶ Clean surface.

### 11.6.4 Measuring and calculating the detergent concentration

For a few detergents, the concentration must be precisely set. In this case, the water flow rate and the consumption of detergent must be measured.

#### Calculating the predilution of the detergent in %

If the predilution is not indicated as a % value on the packaging of the detergent used, it can be determined as follows:

Ratio value

- 1:1 = 50 %
- 1:2 = 33.3 %
- 1:3 = 25 %
- 1:5 = 16.6 %
- 1:10 = 9 %

Example: Calculation ratio value 1:2.

- A = 1
- B = 2

$$\frac{A}{(A + B)} \times 100 = V$$

$$\frac{1}{(1 + 2)} \times 100 = 33,3\%$$

**Measuring and calculating the detergent concentration.**

- ▶ Turn the rotary control to set the working pressure and water quantity in the + direction up to the stop.
- ▶ Turn the dosing handle for cleaning detergent to the right as far as it will go.
- ▶ Fill the detergent container with cleaning agent up to the 0.5 liter mark.
- ▶ Turn the fan jet nozzle in the direction - up to the stop.
- ▶ Switch on pressure washer.
- ▶ Hold the spray gun in an empty collecting container.
- ▶ Actuate the spray gun and fill 2 liters into the collecting container.
- ▶ Determine the consumption of detergent „QR“ from the detergent container.

Calculation of the actual detergent concentration:

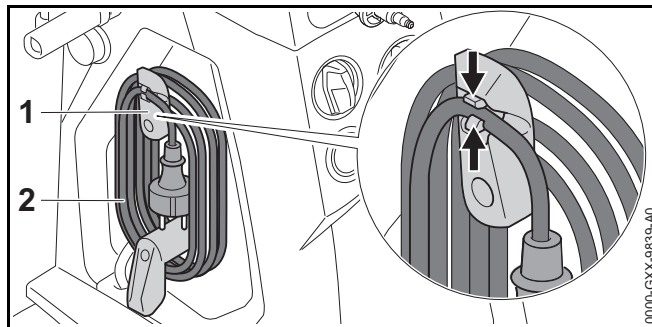
$$\frac{QR}{Q} \times V = K$$

0000-GXX-9862-A0

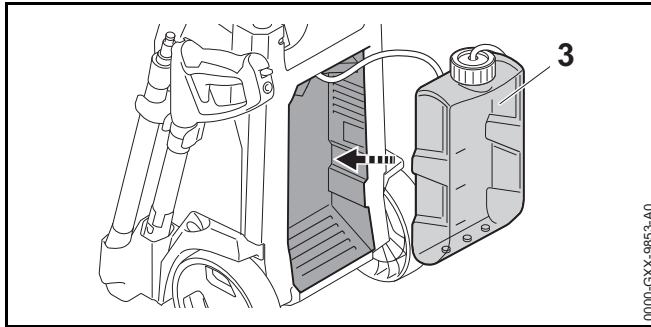
- QR = Quantity of detergent used (in liters).
  - Q = 2 liters.
  - V = Pre-dilution of the cleaning agent (in %).
  - K = Concentration of the cleaning agent..
- ▶ If the calculated concentration differs from the desired one: Reduce dosage at the dosing handle and repeat measurement and calculation.

**12 After Finishing Work****12.1 After finishing work**

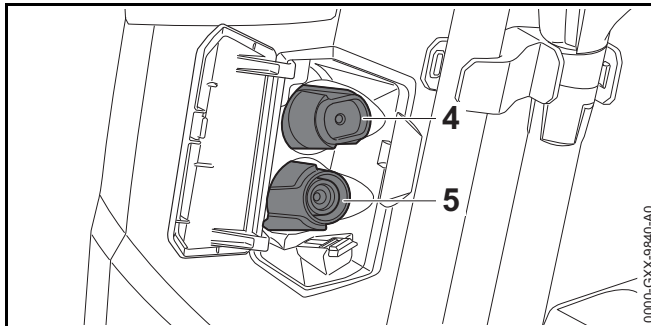
- ▶ Switch off the pressure washer and pull the mains plug out of the socket.
- ▶ If the pressure washer is connected to the water supply: Turn off water tap.
- ▶ Press spray gun trigger. The water pressure is released.
- ▶ Lock spray gun trigger.
- ▶ Disconnect pressure washer from the water supply.
- ▶ Remove water hose.
- ▶ Remove and clean the nozzle and spray lance.
- ▶ Remove the spray gun and let the remaining water run out of the spray gun.
- ▶ Clean the pressure washer.



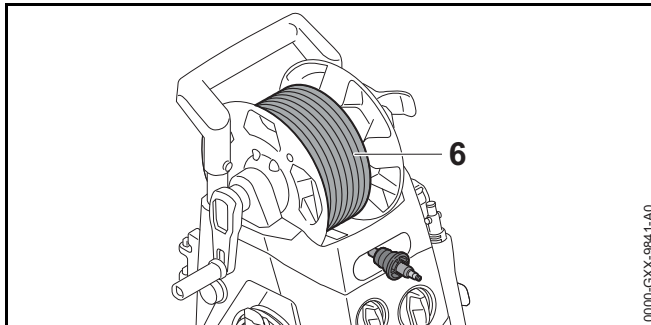
- ▶ Swivel lower holder (1) upwards
- ▶ Coil the connecting cord (2) on the holder (1).
- ▶ Secure the connecting cord (2) using the clip on the support (1).



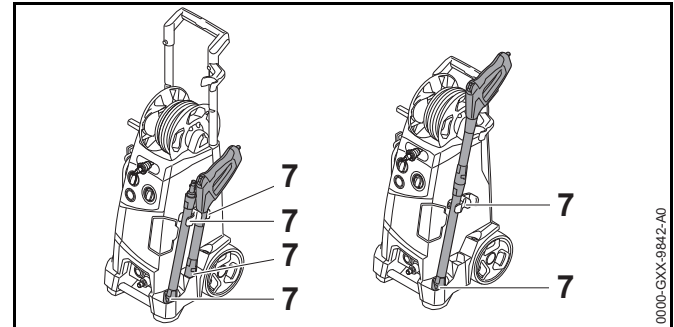
- ▶ Empty detergent container (3) and insert it into the pressure washer.



- ▶ Insert fan-jet nozzle (4) or rotary nozzle (5).



- ▶ Wind up the high-pressure hose (6) evenly distributed.



- ▶ Store the spray attachment in the holders (7) on the pressure washer.

## 12.2 Protecting the pressure washer with antifreeze

If the pressure washer cannot be protected from frost during transport or storage, the pressure washer should be protected by a glycol-based antifreeze. The antifreeze prevents water inside the pressure washer from freezing and causing damage to the pressure washer.

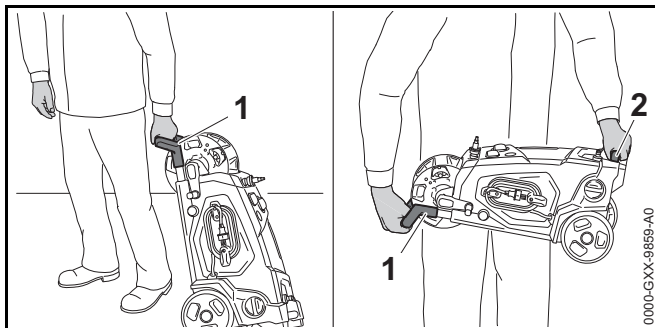
- ▶ Remove spray lance
- ▶ Connect the shortest possible water hose to the pressure washer.  
The shorter the water hose, the less antifreeze is needed.
- ▶ Mix the antifreeze as described in the antifreeze Instruction Manual.
- ▶ Pour antifreeze into a clean container.
- ▶ Insert water hose into container of antifreeze.
- ▶ Squeeze and hold spray gun trigger.
- ▶ Switch on pressure washer.
- ▶ Hold down spray gun trigger until an even jet of antifreeze is delivered from the spray gun and point the spray gun into the container.
- ▶ Press and release spray gun trigger several times.
- ▶ Switch off pressure washer and unplug mains plug from the socket.
- ▶ Detach spray gun and water hose and allow antifreeze to run into the container.

- ▶ Store and dispose of antifreeze in accordance with the applicable regulations and in an environmentally responsible manner.

## 13 Transporting

### 13.1 Transporting the pressure washer

- ▶ Switch off the pressure washer and pull the mains plug out of the socket.
- ▶ Empty or secure the detergent container so that it cannot topple over, fall down and cannot move.



- ▶ If the pressure washer is pulled: Pull pressure washer using handle (1).
- ▶ If the pressure washer is carried: Carry the pressure washer by the handle (1) and the carrying handle (2).
- ▶ If transporting the pressure washer in a vehicle, ensure that the following conditions are fulfilled:
  - The pressure washer is standing upright or is lying on its rear side.
  - The pressure washer is secured using lashing straps, cargo ties or a net, and cannot topple over and move.
  - If the pressure washer cannot be transported in a frost-proof environment: Protect pressure washer using antifreeze.

## 14 Storing

### 14.1 Storing the pressure washer

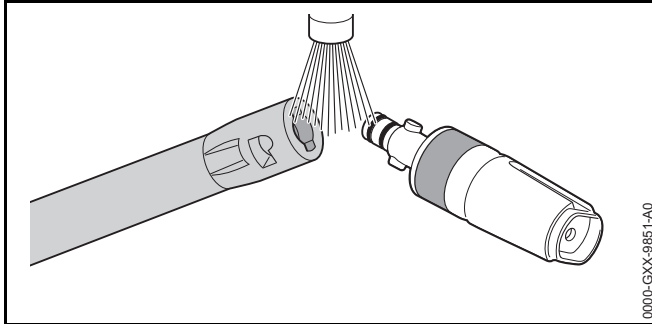
- ▶ Switch off pressure washer and unplug mains plug from the socket.
- ▶ The pressure washer should be stored in such a way that the following conditions are fulfilled:
  - The pressure washer is out of the reach of children.
  - The pressure washer is clean and dry.
  - The pressure washer is in an enclosed room.
  - The pressure washer is in a temperature range above 0 °C.
  - If the pressure washer cannot be protected from frost in storage: Protect the pressure washer with antifreeze.

## 15 Cleaning

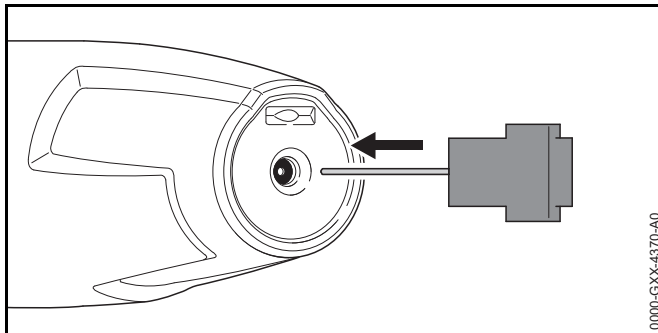
### 15.1 Cleaning the pressure washer and accessories

- ▶ Switch off pressure washer and unplug mains plug from the socket.
- ▶ Clean the pressure washer, high-pressure hose, spray gun and accessories with a damp cloth.
- ▶ Clean the connectors and couplings on the pressure washer, high-pressure hose and spray gun with a damp cloth.

## 15.2 Cleaning nozzle and spray lance

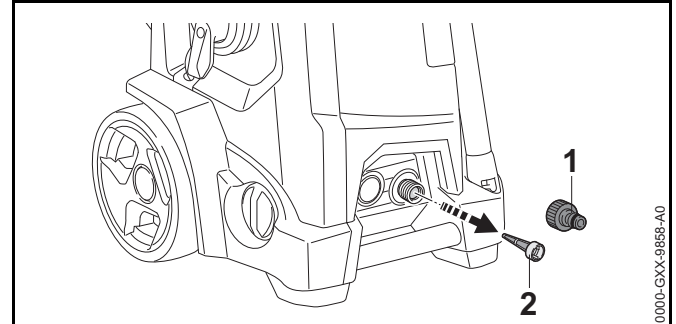


- ▶ Rinse nozzle and spray lance under running water and dry with a cloth.



- ▶ If the nozzle is clogged: Clean the nozzle with the cleaning pin.

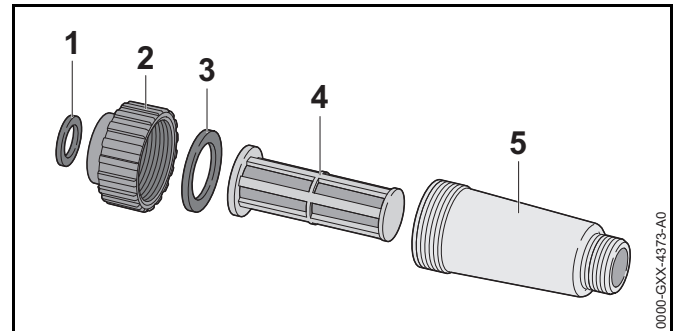
## 15.3 Cleaning the water intake screen



- ▶ Unscrew the connector (1) of the water connection.
- ▶ Pull water intake screen (2) out of the water connection.
- ▶ Rinse out the water intake screen (2) under running water.
- ▶ Insert water intake screen (2) into water connection.
- ▶ Attach the connector (1) and tighten it by hand.

## 15.4 Cleaning the water filter

The water filter must be disassembled to clean it.



- ▶ Remove gasket (1) from the fastener (2).
- ▶ Unscrew fastener (2) from filter housing (5).
- ▶ Remove gasket (3) from the fastener (2).
- ▶ Remove filter (4) from the filter housing (5).
- ▶ Rinse gaskets (1 and 3), fastener (2) and filter (4) under running water.

- ▶ Grease the gaskets (1 and 3) with grease for fittings.
- ▶ Reassemble the water filter.

## 16 Maintenance

### 16.1 Maintenance intervals

Maintenance intervals depend on the ambient conditions and the operating conditions. STIHL recommends the following maintenance intervals:

Monthly

- ▶ Clean water intake screen.

## 17 Repairing






### 17.1 Repairing the pressure washer

The user cannot personally repair the pressure washer and accessory.



- ▶ If the pressure washer or accessory is damaged: Do not use the pressure washer or accessory. Consult a STIHL servicing dealer.

## 18 Troubleshooting

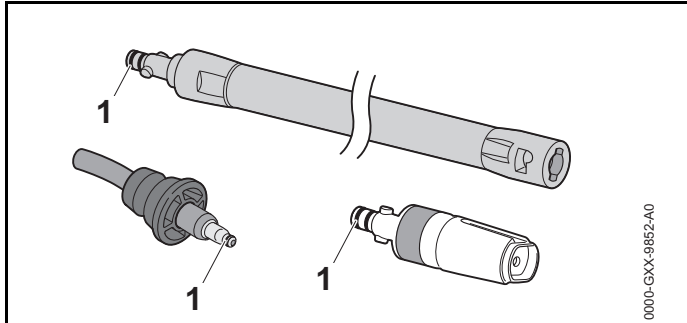
### 18.1 Correcting faults in the pressure washer

Fault	Cause	Remedy
The pressure washer does not start, even though the trigger of the spray gun is pressed.	The plug of the connecting cord or extension cord is not plugged in.	▶ Plug in connecting cord or extension cord plug.
	The circuit-breaker (fuse) or the earth-leakage circuit breaker has tripped. The circuit is electrically overloaded or defective.	▶ Find and resolve the cause for the trip. Engage circuit-breaker (fuse) or the earth-leakage circuit breaker. ▶ Switch off other electrical consumers on the same circuit.
	The fuse rating of the socket is too low.	▶ Plug the connecting cord into a socket with the correct fuse rating,  19.1.
	The extension cord has an incorrect cross-section.	▶ Use an extension cord with a sufficient cross-section.  19.3
	The extension cord is too long	▶ Use an extension cord with the correct length.  19.3
	The electric motor is too warm.	▶ Allow the pressure washer to cool for 5 minutes. ▶ Clean the nozzle.
The pressure washer does not start when switched on. The electric motor buzzes.	The mains voltage is too low.	▶ Press the trigger of the spray gun and keep it pressed and switch on pressure washer. ▶ Switch off other loads connected to the same circuit.
	The extension cord does not have the correct cross-section.	▶ Use an extension cord with an adequate cross-section,  19.3
	The extension cord is too long.	▶ Use an extension cord with the correct length.  19.3
The pressure washer switches off while in operation.	The plug of the connecting cord or extension cord has been pulled out of the socket.	▶ Insert the plug of the connecting cord or of the extension cord.
	The circuit-breaker (fuse) or the earth-leakage circuit breaker has tripped. The circuit is electrically overloaded or defective.	▶ Find and resolve the cause for the trip. Engage circuit-breaker (fuse) or the earth-leakage circuit breaker. ▶ Switch off other electrical consumers on the same circuit.



Fault	Cause	Remedy
	The fuse rating of the socket is too low.	▶ Plug the connecting cord into a socket with the correct fuse rating,  19.1.
	The electric motor is too warm.	▶ Allow the pressure washer to cool for 5 minutes. ▶ Clean the nozzle.
The high-pressure pump switches on and off repeatedly, without the trigger of the spray gun being pressed.	The high-pressure pump, the high-pressure hose or the spray attachment are leaking.	▶ Ask a STIHL servicing dealer to check the pressure washer.
The working pressure fluctuates or drops.	There is a water shortage.	▶ Open water tap completely. ▶ Ensure that a sufficient quantity of water is available.
	The nozzle is blocked.	▶ Clean the nozzle.
	The water intake screen or water filter are blocked.	▶ Clean water intake screen and water filter.
	The high-pressure pump, the high-pressure hose or the spray attachment are leaking or are defective.	▶ Ask a STIHL servicing dealer to check the pressure washer.
The water jet has changed shape.	The nozzle is blocked.	▶ Clean the nozzle.
	The nozzle is worn.	▶ Replace nozzle.
Additional detergent is not drawn in.	The detergent container is empty.	▶ Fill the detergent container with detergent.
	Fan jet nozzle is not turned in direction - up to the stop.	▶ Turn fan jet nozzle in direction - up to the stop.
	Venturi nozzle is worn	Have the tool repaired by a STIHL servicing dealer.
Connections on pressure washer, high-pressure hose, spray gun or spray lance are difficult to connect to each other.	The connection seals are not lubricated.	▶ Lubricate the gaskets  18.2

## 18.2 Greasing the gaskets



- ▶ Grease gaskets (1) with grease for fittings.

## 19 Specifications

### 19.1 Pressure washer STIHL RE 150 PLUS

#### Version 230 V / 50 Hz

- Fuse (characteristic "C" or "K"): 13 A
- Power consumption: 2.9 kW,
- Maximum permissible mains impedance: 0.32 Ohm
- Electrical protection class: I
- Degree of electrical protection: IPX5 (protection from water jets in any direction)
- Working pressure (p): 14 MPa (140 bar)
- Max. permissible pressure (p max.): 18 MPa (180 bar)
- Max. water supply pressure (p in max.): 1 MPa (10 bar)
- Maximum water throughput (Q max): 10.2 l/min (612 l/h)
- Minimum water throughput (Q min): 9.0 l/min (540 l/h)
- Maximum recoil force: 21 N
- Max. suction lift: 0.5 m
- Max. water temperature in pressure mode (t in max): 60 °C

- Max. water temperature in suction mode: 20 °C
- Dimensions
  - Length: 383 mm
  - Width: 380 mm
  - Maximum height: 981 mm
  - Minimum height: 792 mm
- Length of high-pressure hose: 12 m
- Weight (m) with accessory attached: 31 kg

#### Version 230 V / 50 Hz (GB)

- Fuse (characteristic "C" or "K"): 13 A
- Power consumption: 2.8 kW
- Maximum permissible mains impedance: 0.32 Ohm
- Electrical protection class: I
- Degree of electrical protection: IPX5 (protection from water jets in any direction)
- Working pressure (p): 12.8 MPa (128 bar)
- Max. permissible pressure (p max.): 18 MPa (180 bar)
- Max. water supply pressure (p in max.): 1 MPa (10 bar)
- Maximum water throughput (Q max): 10.2 l/min (612 l/h)
- Minimum water throughput (Q min): 9.5 l/min (570 l/h)
- Maximum recoil force: 20 N
- Max. suction lift: 0.5 m
- Max. water temperature in pressure mode (t in max): 60 °C
- Max. water temperature in suction mode: 20 °C
- Dimensions
  - Length: 383 mm
  - Width: 380 mm
  - Maximum height: 981 mm
  - Minimum height: 792 mm
- Length of high-pressure hose: 12 m
- Weight (m) with accessory attached: 31 kg

## 19.2 Pressure washer STIHL RE 170 PLUS

### Version 230 V / 50 Hz

- Fuse (characteristic "C" or "K"): 16 A
- Power consumption: 3.3 kW
- Maximum permissible mains impedance: 0.45 Ohm
- Electrical protection class: I
- Degree of electrical protection: IPX5 (protection from water jets in any direction)
- Working pressure (p): 15 MPa (150 bar)
- Max. permissible pressure (p max.): 18 MPa (180 bar)
- Max. water supply pressure (p in max.): 1 MPa (10 bar)
- Maximum water throughput (Q max): 10.8 l/min (648 l/h)
- Minimum water throughput (Q min): 9.5 l/min (570 l/h)
- Maximum recoil force: 24 N
- Max. suction lift: 0.5 m
- Max. water temperature in pressure mode (t in max): 60 °C
- Max. water temperature in suction mode: 20 °C
- Dimensions
  - Length: 383 mm
  - Width: 380 mm
  - Maximum height: 981 mm
  - Minimum height: 792 mm
- Length of high-pressure hose: 12 m
- Weight (m) with accessory attached: 31 kg

### Version 220-240 V / 50 Hz

- Fuse (characteristic "C" or "K"): 10 A
- Power consumption: 2.2 kW
- Maximum permissible mains impedance: 0.45 Ohm
- Electrical protection class: I

- Degree of electrical protection: IPX5 (protection from water jets in any direction)
- Working pressure (p): 12 MPa (120 bar)
- Max. permissible pressure (p max.): 18 MPa (180 bar)
- Max. water supply pressure (p in max.): 1 MPa (10 bar)
- Maximum water throughput (Q max): 8.7 l/min (522 l/h)
- Minimum water throughput (Q min): 7.8 l/min (468 l/h)
- Maximum recoil force: 16 N
- Max. suction lift: 0.5 m
- Max. water temperature in pressure mode (t in max): 60 °C
- Max. water temperature in suction mode: 20 °C
- Dimensions
  - Length: 383 mm
  - Width: 380 mm
  - Maximum height: 981 mm
  - Minimum height: 792 mm
- Length of high-pressure hose: 12 m
- Weight (m) with accessory attached: 31 kg

## 19.3 Extension Cords

If an extension cord is used, the cross sectional area of its conductors must meet the following minimum requirements – depending on the line voltage and length of the extension cord:

### 220 V to 240 V

- Cord length up to 20 m: AWG 15 / 1.5 mm<sup>2</sup>
- Cord length 20 m up to 50 m: AWG 13 / 2.5 mm<sup>2</sup>

### 100 V to 127 V

- Cord length up to 10 m: AWG 14 / 2.0 mm<sup>2</sup>
- Cord length 10 m up to 30 m: AWG 12 / 3.5 mm<sup>2</sup>

## 19.4 Sound and vibration values RE 150 PLUS, 170 PLUS

The K value for the sound pressure level is 2 dB(A). The K value for the sound power level is 2 dB(A). The K value for the vibration levels is 2 m/s<sup>2</sup>.

- Sound pressure level  $L_{pA}$  measured according to EN 60335-2-79:
  - 71 dB(A)
- Sound power level  $L_{WA}$  measured according to EN 60335-2-79:
  - 85 dB(A)
- Vibration level  $a_h$  measured according to EN 60335-2-79, spray gun:  $\leq 2.4$  m/s<sup>2</sup>.


## 19.5 REACH

REACH is an EC regulation and stands for the Registration, Evaluation, Authorisation and Restriction of Chemical substances.

For information on compliance with the REACH regulation see [www.stihl.com/reach](http://www.stihl.com/reach).

## 20 Spare Parts and Accessories

### 20.1 Spare Parts and Accessories

**STIHL**  These symbols identify original STIHL replacement parts and original STIHL accessories.

STIHL recommends the use of original STIHL replacement parts and accessories.

Original STIHL replacement parts and original STIHL accessories are available from STIHL servicing dealers.

## 21 Disposal

### 21.1 Disposing of the pressure washer

Information concerning disposal is available from any STIHL servicing dealer.

- ▶ Dispose of the pressure washer, high-pressure hose, nozzles, accessories and packaging in accordance with the applicable regulations and in an environmentally responsible manner.

## 22 EC Declaration of Conformity

### 22.1 Pressure washers STIHL RE 150 PLUS, 170 PLUS

ANDREAS STIHL AG & Co. KG  
Badstraße 115  
D-71336 Waiblingen  
Germany

declares under its sole responsibility that

- Type: Pressure washer
- Make: STIHL
- Model: RE 150 PLUS; 170 PLUS
- Serial identification number: RE01

conforms to the specifications of Directives 2011/65/EU, 2006/42/EC and 2014/30/EU and has been developed and built in compliance with the versions of the following standards valid at the production date: EN 55014-1, EN 55014-2, EN 60335-1, EN 60335-2-79, EN 61000-3-2, EN 61000-3-11.

The measured and the guaranteed sound power level have been determined in accordance with Directive 2000/14/EC, Annex V, and standard ISO 3744.

- measured sound power level: 85 dB(A)
- guaranteed sound power level: 87 dB(A)

The Technical Documentation has been retained by the  
Produktzulassung Department of  
ANDREAS STIHL AG & Co. KG.

The year of construction, the country of manufacture and the  
machine number are shown on the pressure washer.

Waiblingen, 07.05.2019

ANDREAS STIHL AG & Co. KG

pp

A handwritten signature in black ink, reading "Thomas Elsner". The signature is written in a cursive style with a large initial 'T' and 'E'.

Thomas Elsner, Head of Product Management and Services





0458-663-0121-A

englisch



[www.stihl.com](http://www.stihl.com)



0458-663-0121-A