

**STIHL**<sup>®</sup>

**STIHL BGA 45**

Instruction Manual





# Contents

<b>1</b>	<b>Introduction</b>	<b>2</b>	<b>9</b>	<b>Switching the Blower On/Off</b>	<b>13</b>
<b>2</b>	<b>Guide to Using this Manual</b>	<b>2</b>	9.1	Switching On	13
2.1	Applicable Documentation	2	9.2	Switching Off	13
2.2	Symbols used with warnings in the text	3	<b>10</b>	<b>Testing the Blower and Battery</b>	<b>13</b>
2.3	Symbols in Text	3	10.1	Checking the Controls	13
<b>3</b>	<b>Overview</b>	<b>3</b>	10.2	Checking the Built-In Battery	14
3.1	Blower and Charging Cable	3	<b>11</b>	<b>Operating the Blower</b>	<b>14</b>
3.2	Symbols	4	11.1	Holding and Controlling the Blower	14
<b>4</b>	<b>Safety Precautions</b>	<b>4</b>	11.2	Blow-Sweeping	14
4.1	Introduction	4	<b>12</b>	<b>After Finishing Work</b>	<b>14</b>
4.2	Warning Signs	4	12.1	After Finishing Work	14
4.3	Intended Use	5	<b>13</b>	<b>Transporting</b>	<b>14</b>
4.4	The Operator	5	13.1	Transporting the Blower	14
4.5	Clothing and Equipment	6	<b>14</b>	<b>Storing</b>	<b>15</b>
4.6	Work Area and Surroundings	6	14.1	Storing the Blower	15
4.7	Safe Condition	7	14.2	Storing the Charging Cable	15
4.8	Built-in Battery	8	<b>15</b>	<b>Cleaning</b>	<b>15</b>
4.9	Operation	8	15.1	Cleaning the Blower	15
4.10	Charging	9	15.2	Cleaning the charging cable	15
4.11	Transporting	9	<b>16</b>	<b>Maintenance and Repairs</b>	<b>15</b>
4.12	Storing	10	16.1	Maintenance Intervals	15
4.13	Cleaning, Maintenance and Repairs	10	16.2	Servicing and Repairing the Blower	15
<b>5</b>	<b>Preparing the Blower for Operation</b>	<b>11</b>	16.3	Servicing and repairing the charging cable	15
5.1	Preparing the Blower for Operation	11	<b>17</b>	<b>Troubleshooting</b>	<b>16</b>
<b>6</b>	<b>Charging the Blower, LEDs</b>	<b>11</b>	17.1	Troubleshooting Blower or Charging Cable	16
6.1	Charging the Blower	11	<b>18</b>	<b>Specifications</b>	<b>17</b>
6.2	State of Charge	12	18.1	STIHL BGA 45 Blower	17
6.3	LEDs	12	18.2	STIHL LK 45 Charging Cable	17
<b>7</b>	<b>Assembling the Blower</b>	<b>12</b>	18.3	Noise and Vibration Data	17
7.1	Mounting the Blower Tube and Nozzle	12	18.4	REACH	17
<b>8</b>	<b>Inserting and Removing Activation Key</b>	<b>12</b>	<b>19</b>	<b>Spare Parts and Accessories</b>	<b>17</b>
8.1	Inserting the Activation Key	12	19.1	Spare Parts and Accessories	17
8.2	Removing the Activation Key	13			

# STIHL®

This instruction manual is protected by copyright. All rights reserved, especially the rights to reproduce, translate and process with electronic systems.

<b>20 Disposal</b> .....	<b>18</b>
20.1 Disposing of Blower and Charging Cable .....	18
<b>21 EC Declaration of Conformity</b> .....	<b>18</b>
21.1 STIHL BGA 45 Blower .....	18
21.2 STIHL LK 45 Charging Cable .....	18

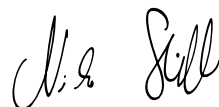
## 1 Introduction

Dear Customer,

Thank you for choosing STIHL. We develop and manufacture our quality products to meet our customers' requirements. The products are designed for reliability even under extreme conditions.

STIHL also stands for premium service quality. Our specialist dealers guarantee competent advice and instruction as well as comprehensive service support.

We thank you for your confidence in us and hope you will enjoy working with your STIHL product.



Dr. Nikolas Stihl

**IMPORTANT: READ BEFORE USE AND KEEP IN A SAFE PLACE.**

## 2 Guide to Using this Manual

### 2.1 Applicable Documentation

Local safety regulations apply.

- ▶ Read, understand and save the following documents in addition to this instruction manual:
  - Safety information for STIHL batteries and products with built in batteries: [www.stihl.com/safety-data-sheets](http://www.stihl.com/safety-data-sheets)

## 2.2 Symbols used with warnings in the text

### WARNING

This symbol indicates dangers that can cause serious injuries or death.


- ▶ The measures indicated can avoid serious injuries or death.

### NOTICE

This symbol indicates dangers that can cause damage to property.

- ▶ The measures indicated can avoid damage to property.

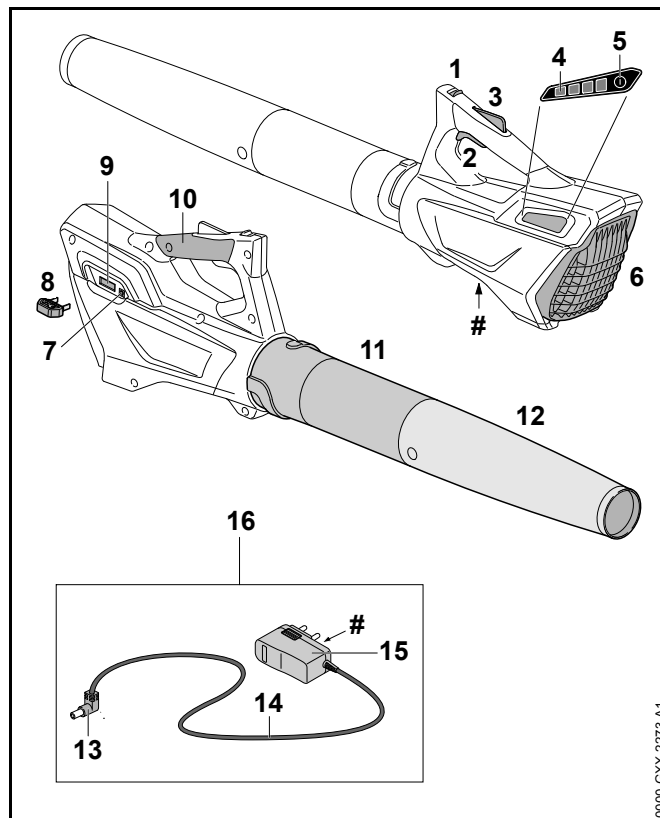
## 2.3 Symbols in Text

-  This symbol refers to a chapter in this instruction manual.

# 3 Overview

## 3.1 Blower and Charging Cable

The rechargeable battery is built into the blower.



### 1 Release Slide

Operated together with the trigger lockout to unlock the trigger.

### 2 Trigger

The trigger switches the blower on and off.

### 3 Trigger Lockout

Locks trigger in position.

### 4 LEDs

Indicate blower's state of charge and malfunctions.

### 5 Button

Activates the LEDs on the blower.

**6 Intake Screen**

Protects the operator from moving parts inside the blower.

**7 Charging Socket**

Accommodates the charger plug.

**8 Activation Key**

Activates the blower.

**9 Key Socket**

Accommodates the activation key.

**10 Control Handle**

For operating, controlling and carrying the blower.

**11 Blower tube**

Directs the airstream.

**12 Nozzle**

Directs and concentrates the airstream.

**13 Charger Plug**

Connects charging cable to charger socket.

**14 Connecting Cable**

Connects charger plug to appliance plug.

**15 Appliance Plug**


Connects charging cable to wall outlet.


**16 Charging Cable**

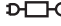
Serves to charge the blower.


**# Rating label with serial number****3.2 Symbols**


Meanings of symbols that may be on the blower and charging cable:


 This symbol indicates in what direction the release slide has to be pushed.


 Guaranteed sound power level according to directive 2000/14/EC in dB(A) in order to make sound emissions of products comparable.

 LK 45 This symbol shows that an LK 45 charging cable must be used.

 The data next to this symbol indicates the energy content of the battery according to the cell manufacturer's specification. The energy content available during operation is lower.

 Operate the electric appliance in a dry place, indoors only.

 Do not dispose of the product with your household waste.

 Mount so that the arrows point vertically upwards.


## 4 Safety Precautions


### 4.1 Introduction

This product was designed for safe operation and features safety devices. Nevertheless, you should observe the following safety precautions in order to avoid possible dangers.

### 4.2 Warning Signs

Meanings of warning signs and labels on the blower and charging cable:

 Observe safety notices and take the necessary precautions.

 Read, understand and save the instruction manual.



Wear safety glasses.



Confine long hair so that it cannot be sucked into the blower.



Always remove the activation key during work breaks, transport, charging, storage, maintenance and repairs.



Protect the blower from rain and damp – do not immerse it in fluids.



Maintain safe distance.



Protect the blower from heat and fire.



Observe the blower's specified temperature range.

### 4.3 Intended Use

The STIHL BGA 45 blower is designed for blow-sweeping leaves, grass, paper and similar matter.

Do not use the blower in the rain.

A built-in battery supplies the blower with power.

The STIHL LK 45 charging cable recharges the STIHL BGA 45 blower.

## ⚠ WARNING

- Charging cables or power supply units not explicitly approved for the blower by STIHL may cause a fire or explosion. This can result in serious or fatal injuries and damage to property.
  - ▶ Always recharge a STIHL BGA 45 blower with a STIHL LK 45 charging cable.
- Using the blower or the charging cable for purposes for which they were not designed may result in serious or fatal injuries and damage to property.
  - ▶ Use the blower and charging cable as described in this instruction manual.

### 4.4 The Operator

## ⚠ WARNING

- Users without adequate training or instruction cannot recognize or assess the risks involved in using the blower and charging cable. The user or other persons may sustain serious or fatal injuries.



- ▶ Read, understand and save the instruction manual.

- ▶ If you pass the blower and charging cable on to another user: Always give them the instruction manual.
- ▶ Make sure the user meets the following requirements:
  - The user must be rested.
  - The user must be in good physical condition and mental health to operate and work with the blower and the charging cable. If the user's physical, sensory or mental ability is restricted, he

or she may work only under the supervision of or as instructed by a responsible person.

- The user must be legally recognized as an adult.
  - The user has received instruction from a STIHL servicing dealer or other experienced user before working with the blower for the first time.
  - The user must not be under the influence of alcohol, medication or drugs.
- ▶ If you have any queries: Contact your STIHL servicing dealer for assistance.

## 4.5 Clothing and Equipment

### ⚠ WARNING

- Long hair can be sucked into the blower during operation. This can result in serious injuries.



- ▶ Tie up and confine long hair so that it cannot be sucked into the blower.

- Objects can be thrown through the air at high speed during operation. This can result in personal injury.



- ▶ Wear close-fitting safety glasses. Suitable glasses that have been tested and labeled in accordance with EN 166 or national standards are available from retailers.

- ▶ Wear long trousers.

- Dust can be whipped up during operation: Whipped up dust can damage the respiratory passages and cause allergic reactions.
  - ▶ Wear a respirator.
- Unsuitable clothing can snag on wood, brush or the blower. Not wearing personal protective equipment may result in serious injury.
  - ▶ Wear snug-fitting clothing.
  - ▶ Do not wear a scarf or jewelry.
- Dust can be whipped up during operation: The dust generated may cause the blower to be electrostatically charged. If the blower is touched, there may be a static electricity discharge which can produce a mild electric shock. This can result in personal injury.
  - ▶ Wear work gloves made of durable material.
- Wearing unsuitable footwear may cause you to slip or stumble. This can result in personal injury.
  - ▶ Wear sturdy enclosed footwear with non-slip soles.

## 4.6 Work Area and Surroundings

### 4.6.1 Blower

### ⚠ WARNING

- Innocent bystanders, children and animals are not aware of the dangers of the blower or flying debris. Innocent bystanders, children and animals may be seriously injured and damage to property may occur.



- ▶ Do not allow bystanders, children or animals within 5 meters of the work area.
  - ▶ Maintain a clearance of 5 meters from objects.
  - ▶ Do not leave the blower unattended.
  - ▶ Make sure that children cannot play with the blower.
- The blower is not waterproof. Working in the rain or a damp location may result in an electric shock. This can result in injuries to the user and may damage the blower.





- ▶ Do not work in the rain or a damp location.

- Electrical components of the blower can produce sparks. Sparks may cause a fire or an explosion in an easily combustible or explosive environment. This can result in serious or fatal injuries and damage to property.
  - ▶ Do not work in an easily combustible or explosive environment.

#### 4.6.2 Charging Cable

### **⚠ WARNING**

- Innocent bystanders, children and animals are not aware of and cannot assess the dangers of a charging cable or electric current. Innocent bystanders, children and animals may be seriously or fatally injured.
  - ▶ Keep bystanders, children and animals away from the work area.
  - ▶ Do not leave the charging cable unattended.
  - ▶ Make sure that children cannot play with the charging cable.
- The charging cable is not protected against all ambient conditions. If the charging cable is exposed to certain ambient conditions, it may catch fire or explode. This can result in serious injuries and damage to property.
  - ▶ Protect the charging cable from rain and dampness.
  - ▶ Operate the charging cable in a dry place, indoors only.
  - ▶ Do not operate the charging cable in an easily combustible or explosive environment.
  - ▶ Use and store the charging cable at a temperature between 0°C and +40 °C.

## 4.7 Safe Condition

### 4.7.1 Blower

The blower is in a safe condition if the following points are observed:

- Blower is undamaged.
- Blower is clean and dry.
- The controls function properly and have not been modified.
- Only original STIHL accessories are fitted.
- Accessories are properly mounted.

### **⚠ WARNING**

- If components do not comply with safety requirements, they will no longer function properly and safety devices may be rendered inoperative. This can result in serious or fatal injuries.
  - ▶ Work only with an undamaged blower.
  - ▶ Never recharge a damaged blower.
  - ▶ If the blower is dirty or wet: Clean the blower and allow it to dry.
  - ▶ Never modify your blower. Exception: Mounting a blower tube and nozzle approved for this blower model.
  - ▶ If the controls do not function properly: Do not work with the blower.
  - ▶ Only fit original STIHL accessories designed for this blower model.
  - ▶ Mount accessories as described in this instruction manual or the instructions supplied with the accessory.
  - ▶ Never insert objects in the blower's openings.
  - ▶ Never bridge the contacts in the activation key socket with metallic objects (short circuit).
  - ▶ Do not open the blower.
  - ▶ If you have any queries: Contact your STIHL servicing dealer for assistance.

### 4.7.2 Charging Cable

The charging cable is in a safe condition if the following points are observed:

- Charging cable is undamaged.
- Charging cable is clean and dry.

## ⚠ WARNING

- If the product does not comply with safety requirements, components will no longer function properly or safety devices may be rendered inoperative. This can result in serious or fatal injuries.
  - ▶ Do not use a damaged charging cable.
  - ▶ If the charging cable is dirty or wet: Clean the charging cable and allow it to dry.
  - ▶ Do not modify the charging cable.
  - ▶ **Never bridge the charging cable's contacts with metallic objects (short circuit).**
  - ▶ Do not open the charging cable.

### 4.8 Built-in Battery

## ⚠ WARNING

- The built-in battery is not protected against all ambient conditions. If the built-in battery is exposed to certain ambient conditions, the blower may catch fire or explode. This can result in serious or fatal injuries and damage to property.



- ▶ Protect the blower from heat and fire.
- ▶ Do not throw the blower into a fire.



- ▶ Use and store the blower at a temperature between 0°C and +50°C.
- ▶ Keep the blower away from metallic objects.
- ▶ Protect the blower from rain and damp – do not immerse it in fluids.
- ▶ Do not expose blower to high pressure.
- ▶ Do not expose blower to microwaves.
- ▶ Protect the blower from chemicals and salts.
- ▶ Never transport a damaged blower.
- Fluid may escape from a damaged battery. The fluid can cause irritation if it contacts the skin or eyes.
  - ▶ Avoid contact with the fluid.
  - ▶ In case of contact with the skin: Wash affected areas with plenty of water and soap.
  - ▶ In case of contact with the eyes: Rinse eyes with plenty of water for at least 15 minutes and seek medical advice.
- A damaged or defective battery may smell unusual, emit smoke or burn. This can result in serious or fatal injuries and damage to property.
  - ▶ If the blower smells unusual or emits smoke: Do not use the blower and keep it away from combustible substances.
  - ▶ If the blower catches fire: Extinguish the blower with a fire extinguisher or water.

### 4.9 Operation

## ⚠ WARNING

- The user cannot concentrate on the work in certain situations. The user may stumble, fall and be seriously injured.
  - ▶ Work calmly and carefully.
  - ▶ If light and visibility are poor: Do not work with the blower.

- ▶ Operate the blower alone.
- ▶ Do not work above shoulder height.
- ▶ Watch out for obstacles.
- ▶ Stand on the ground while working and keep a good balance. If it is necessary to work at heights: Use a lift bucket or a safe platform.
- ▶ If you begin to feel tired: Take a break.
- ▶ Blow sweep with the wind.
- Objects can be thrown through the air at high speed during operation. Bystanders and animals may be injured and damage to property may occur.
  - ▶ Do not direct the air blast towards bystanders, animals or objects.
- If the behavior of the blower changes during operation or feels unusual, it may no longer be in a safe condition. This can result in serious injuries and damage to property.
  - ▶ Stop work, remove the activation key and contact your STIHL servicing dealer.
- Blower vibrations may occur during operation.
  - ▶ Wear gloves.
  - ▶ Take regular breaks.
  - ▶ If signs of circulation problems occur: Seek medical advice.
- Contact with live components can result in an electric shock. This can result in serious or fatal injuries.
  - ▶ Check that the connecting cable and plug are not damaged.
  - ▶ Insert the plug in a properly installed wall outlet.
- Overvoltage can occur in the charging cable if the line voltage or frequency are incorrect during charging. The charging cable may be damaged.
  - ▶ Make sure the line voltage and frequency agree with the data on the charging cable's rating label.
- A damaged or defective charging cable may produce an unusual smell or emit smoke during the charging process. This may result in personal injuries and damage to property.
  - ▶ Disconnect the plug from the wall outlet.
- The charging cable can overheat and cause a fire if heat dissipation is inadequate. This can result in serious or fatal injuries and damage to property.
  - ▶ Do not cover the charging cable.
- If several charging cables are connected to one wall outlet, electric cables may be overloaded during the charging process. The cords can overheat and cause a fire. This can result in serious or fatal injuries and damage to property.
  - ▶ Connect the charging cable to a single wall outlet.
  - ▶ Do not connect the charging cable to multiple sockets.

#### 4.10 Charging

### **▲ WARNING**

Contact with live components may occur for the following reasons:

- Connecting cable is damaged.
- Plug is damaged.
- Wall outlet is not properly installed.

#### 4.11 Transporting

### **▲ WARNING**

- The blower can turn over or move while being transported. This may result in personal injuries and damage to property.



- ▶ Remove the activation key.

- ▶ Pack the blower in packaging or a transport box in such a way that it cannot move.
- ▶ Secure the packaging or transport box with lashing straps or a net so that the packaging or transport box cannot move.

## 4.12 Storing

### 4.12.1 Blower

#### **⚠ WARNING**

- Children are not aware of and cannot assess the dangers of a blower and can be seriously injured.



- ▶ Remove the activation key.

- ▶ Store the blower out of the reach of children.
- Dampness can corrode the electrical contacts in the activation key socket and metal components. The blower may be damaged.



- ▶ Remove the activation key.

- ▶ Store the blower in a clean and dry condition.
- The blower is not protected against all ambient conditions. The blower may be damaged if it is exposed to certain ambient conditions.
  - ▶ Store the blower in a clean and dry condition.
  - ▶ Store the blower in a closed location.
  - ▶ Store the activation key separately from the blower.

### 4.12.2 Charging Cable

#### **⚠ WARNING**

- Children are not aware of and cannot assess the dangers of a charging cable. Children may sustain serious or fatal injuries.
  - ▶ Keep the charging cable out of the reach of children.
- The charging cable is not protected against all ambient conditions. The charging cable may be damaged if it is exposed to certain ambient conditions.
  - ▶ If the charging cable is hot: Allow the charging cable to cool down.
- ▶ Store the charging cable in a clean and dry condition.
- ▶ Store the charging cable in a confined space.
- ▶ Store the charging cable within temperature range of 0°C to +40°C.

## 4.13 Cleaning, Maintenance and Repairs

#### **⚠ WARNING**

- The blower may start unintentionally if the activation key remains inserted during cleaning, maintenance or repair operations. This can result in serious injuries and damage to property.



- ▶ Remove the activation key.

- Aggressive cleaning agents, cleaning with a jet of water or pointed objects can damage the blower and the charging cable. If the blower or charging cable are not cleaned








correctly, components may no longer function properly or safety devices may be rendered inoperative. This can result in serious injuries.

- ▶ Clean the blower and charging cable as described in this instruction manual.
- If the blower or charging cable are not serviced or repaired correctly, components may no longer function properly or safety devices may be rendered inoperative. This can result in serious or fatal injuries.
  - ▶ Do not attempt to service or repair the blower or charging cable.
  - ▶ If the blower or the charging cable require servicing or repairs: Contact your STIHL servicing dealer for assistance.

## 5 Preparing the Blower for Operation

### 5.1 Preparing the Blower for Operation

Perform the following steps before starting work:

- ▶ Make sure the following components are in a safe condition:
  - Blower,  4.7.1.
  - Charging cable,  4.7.2.
- ▶ Check the built-in battery,  10.2.
- ▶ Fully charge the blower,  6.
- ▶ Clean the blower,  15.1.
- ▶ Mount the blower tube and nozzle,  7.
- ▶ Check the controls,  10.
  - ▶ If 3 LEDs flash red while you are checking the controls: Remove the activation key and contact your STIHL servicing dealer. Malfunction in blower.
- ▶ If you cannot carry out this work: Do not use the blower and contact your STIHL servicing dealer.

## 6 Charging the Blower, LEDs

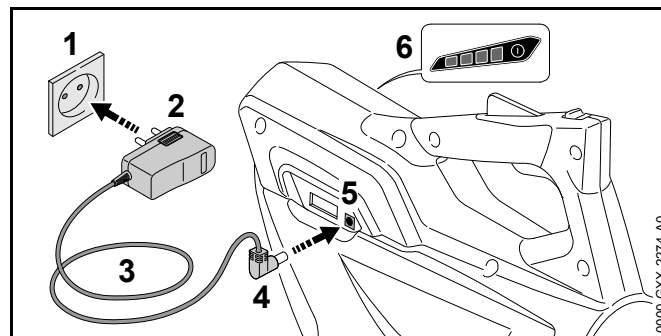
### 6.1 Charging the Blower

The charging time depends on several factors, e.g. temperature of the blower or ambient temperature. The actual charging time may differ from the specified charging time. For specified charging times see [www.stihl.com/charging-times](http://www.stihl.com/charging-times).

The charging process starts automatically when the plug is inserted in a wall outlet and the charging cable is connected to the blower. The charging process stops automatically when the blower is fully charged.

The blower and charging cable heat up during the charging process.

- ▶ Remove the activation key.



- ▶ Insert the plug (2) in a convenient wall outlet (1).

#### WARNING

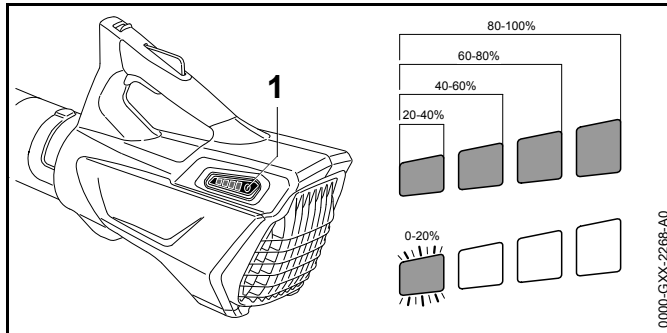
Persons may trip over the connecting cable. This can result in injuries and may damage the charging cable.

- ▶ Lay the connecting cable flat on the floor.

- ▶ Position the connecting cable (3).

- ▶ Insert the charger plug (4) in the charge socket (5).  
The LEDs (6) glow green and show the state of charge.
- ▶ If the LEDs (6) stop glowing: Disconnect the charger plug (4) from the charge socket (5).  
The blower is fully charged.
- ▶ Disconnect the plug (2) from the wall outlet (1).

## 6.2 State of Charge



- ▶ Press the button (1).  
The LEDs (5) glow green for about 5 seconds and indicate the state of charge.
- ▶ If the LED on the right flashes green: Recharge the blower.

## 6.3 LEDs

The LEDs can indicate the state of charge or malfunctions in the blower. The LEDs can glow or flash green or red.

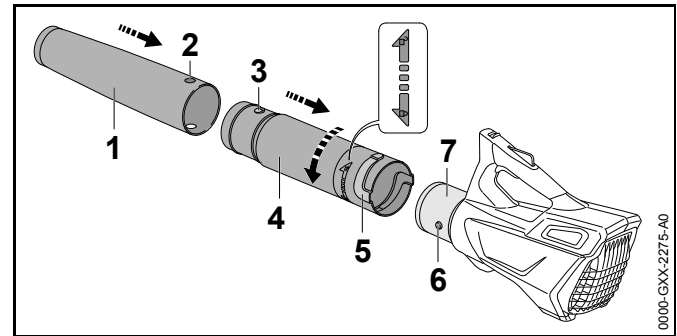
The state of charge is indicated when the LEDs glow or flash green.

- ▶ If the LEDs glow or flash red: Troubleshooting, 17. Malfunction in blower.

# 7 Assembling the Blower

## 7.1 Mounting the Blower Tube and Nozzle

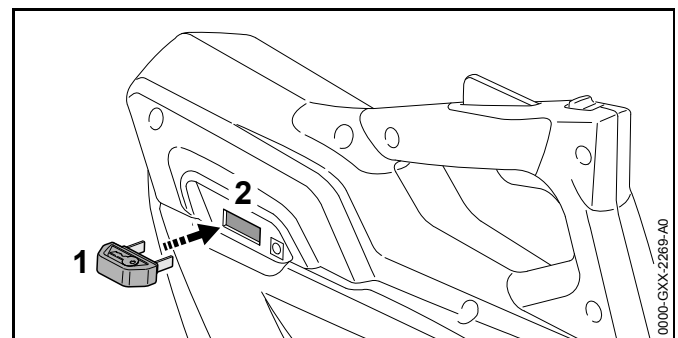
- ▶ Switch off the blower and remove the activation key.



- ▶ Line up the hole (2) and the lug (3).
  - ▶ Push the nozzle (1) onto the blower tube (4).  
The nozzle (1) engages audibly and can no longer be removed.
  - ▶ Line up the lug (6) and the slot (5).
  - ▶ Push the blower tube (4) onto the housing (7).
  - ▶ Rotate nozzle (4) in direction of until it engages.
- There is no need to remove the blower tube again.

# 8 Inserting and Removing Activation Key

## 8.1 Inserting the Activation Key



- ▶ Insert the activation key (1) in the socket (2).

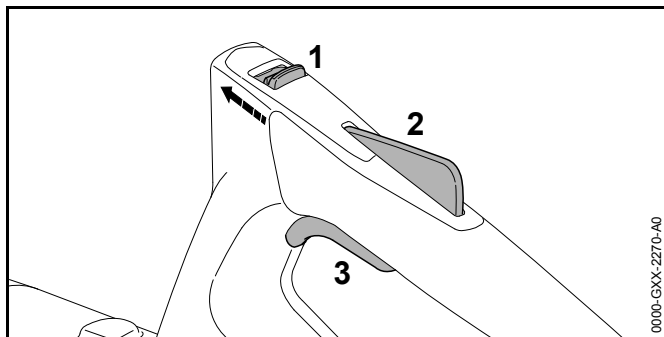
## 8.2 Removing the Activation Key

- ▶ Stand the blower on a level surface.
- ▶ Remove the activation key.
- ▶ Keep the activation key out of the reach of children.

## 9 Switching the Blower On/Off

### 9.1 Switching On

- ▶ Hold the blower with one hand on the control handle - wrap you thumb around the handle.



- ▶ Push the release slide (1) in the direction of the blower tube with your thumb and hold it there.
- ▶ Depress the trigger lockout (2) with your hand and hold it there.  
You can let go of the release slide (1).
- ▶ Pull the trigger (3) with your index finger and hold it there.  
The blower accelerates and air flows from the nozzle.

### 9.2 Switching Off

- ▶ Release the trigger and lockout lever at the same time.  
No air flows from the nozzle.
- ▶ If air continues to flow from nozzle: Remove the activation key and contact your STIHL servicing dealer.  
Blower has a malfunction.

## 10 Testing the Blower and Battery

### 10.1 Checking the Controls

#### Release slide, trigger lockout and trigger

- ▶ Remove the activation key.
- ▶ Attempt to pull the trigger lever without depressing the release slide and the trigger lockout.
- ▶ If the trigger can be pulled: Do not use the blower and contact your STIHL servicing dealer.  
Release slide or trigger lockout is faulty.
- ▶ Push the release slide in the direction of the blower tube with your thumb and hold it there.
- ▶ Depress the trigger lockout and hold it in that position.
- ▶ Pull the trigger.
- ▶ Let go of the trigger, trigger lockout and release slide.
- ▶ If the trigger, trigger lockout or release slide is stiff or does not spring back to the idle position: Do not use the blower and contact your STIHL servicing dealer.  
The trigger, trigger lockout or release slide has a malfunction.

#### Switching On

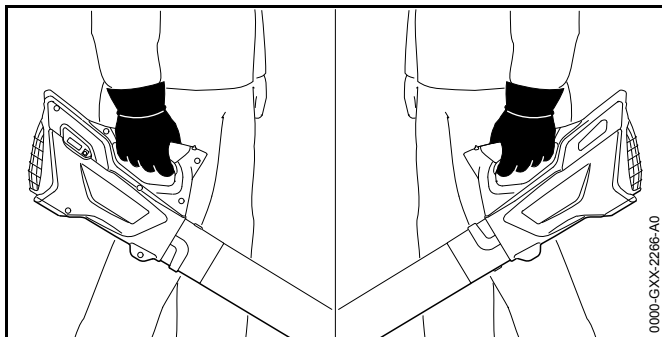
- ▶ Insert the activation key.
- ▶ Push the release slide in the direction of the blower tube with your thumb and hold it there.
- ▶ Depress the trigger lockout and hold it in that position.
- ▶ Pull the trigger and hold it there.  
Air flows from the nozzle.
- ▶ If 3 LEDs flash red: Remove the activation key and contact your STIHL servicing dealer.  
Malfunction in blower.
- ▶ Release the trigger.  
No air flows from the nozzle.
- ▶ If air continues to flow from nozzle: Remove the activation key and contact your STIHL servicing dealer.  
Blower has a malfunction.

## 10.2 Checking the Built-In Battery

- ▶ Press the button.  
The LEDs glow or flash.
- ▶ If the LEDs do not glow or flash: Do not use the blower and contact your STIHL servicing dealer.  
There is a malfunction in the built-in battery.

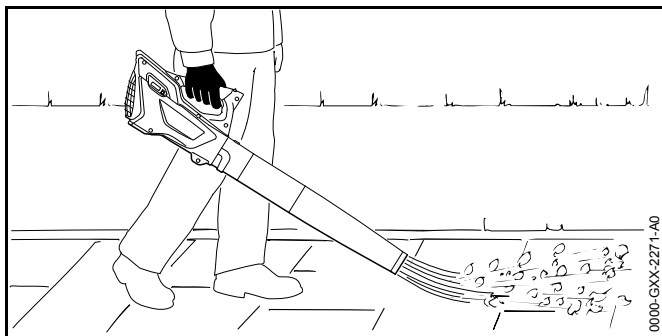
## 11 Operating the Blower

### 11.1 Holding and Controlling the Blower



- ▶ Hold and control the blower with one hand on the control handle - wrap your thumb around the handle.

### 11.2 Blow-Sweeping



- ▶ Point the nozzle at the ground.

- ▶ Walk slowly and steadily forwards.

## 12 After Finishing Work

### 12.1 After Finishing Work

- ▶ Switch off the blower and remove the activation key.
- ▶ Clean the blower.

## 13 Transporting

### 13.1 Transporting the Blower

- ▶ Switch off the blower and remove the activation key.
- ▶ Carry the blower by the control handle.
- ▶ Transporting the blower in a vehicle: Secure the blower to prevent turnover and movement.
- ▶ If the blower needs to be packed: Observe the following points when packing the blower:
  - Packaging or transport box must be non-conductive.
  - Make sure the blower cannot shift inside the packaging or transport box.
  - Secure the packaging or transport box so that the packaging or transport box cannot move.

Owing to the built-in battery, the blower is subject to the requirements for transporting dangerous goods. The blower is classified as UN 3481 (lithium-ion batteries in equipment) and has been tested in accordance with UN Manual of Tests and Criteria, Part III, sub-section 38.3.

For transport regulations see [www.stihl.com/safety-data-sheets](http://www.stihl.com/safety-data-sheets)



## 14 Storing

### 14.1 Storing the Blower

STIHL recommends that you store the blower with a charge between 40% and 60% (2 LEDs glow green).

- ▶ Switch off the blower and remove the activation key.
- ▶ Observe the following points when storing the blower:
  - Blower is out of the reach of children.
  - Blower is clean and dry.
  - Charging cable is in an enclosed space.
  - Blower is in a temperature range between 0°C and +50°C.

### 14.2 Storing the Charging Cable

- ▶ Disconnect the plug from the wall outlet.
- ▶ Observe the following points when storing the charging cable:
  - Charging cable is out of the reach of children.
  - Charging cable is clean and dry.
  - Charging cable is in an enclosed space.
  - Charging cable is separated from the blower.
  - Charging cable is in a temperature range between 0°C and +40 °C.

## 15 Cleaning

### 15.1 Cleaning the Blower

- ▶ Switch off the blower and remove the activation key.
- ▶ Clean the blower with a damp cloth.
- ▶ Clean the intake screen with a soft brush.

### 15.2 Cleaning the charging cable

- ▶ Disconnect the plug from the wall outlet.

- ▶ Disconnect the charger plug from the charge socket.
- ▶ Clean the charging cable with a damp cloth.

## 16 Maintenance and Repairs

### 16.1 Maintenance Intervals

The maintenance intervals are dependent on the environmental and operating conditions. STIHL recommends the following maintenance intervals:

#### Every 12 months

- ▶ Have the blower checked by a STIHL servicing dealer.

### 16.2 Servicing and Repairing the Blower

The blower cannot be serviced or repaired by the user.

- ▶ If your blower has a malfunction or is damaged or requires servicing: Contact your STIHL servicing dealer.

### 16.3 Servicing and repairing the charging cable

The charging cable requires no servicing and cannot be repaired.

- ▶ If the charging cable is defective or damaged: Replace the charging cable.

## 17 Troubleshooting

### 17.1 Troubleshooting Blower or Charging Cable

Condition	LEDs on blower	Cause	Remedy
Blower does not start when switched on	1 LED flashes green	Blower has low charge.	▶ Recharge the blower.
	3 LEDs glow red	Blower too hot.	▶ Remove the activation key. ▶ Allow blower to cool down.
	3 LEDs flash red.	There is a electrical malfunction.	▶ Remove the activation key. ▶ Do not use the blower and contact your STIHL servicing dealer.
		Blower is damp.	▶ Allow the blower to dry.
Blower cuts out during operation	3 LEDs glow red	Blower too hot.	▶ Remove the activation key. ▶ Allow blower to cool down.
		There is a electrical malfunction.	▶ Switch off the blower, wait 5 seconds and then switch on again.
Blower runtime is too short		The blower is not fully charged.	▶ Fully charge the blower.
		Normal blower life has been exceeded.	▶ Replace the blower.
Blower is not being charged.	3 LEDs glow red	Blower too hot.	▶ Remove the activation key. ▶ Allow blower to cool down.
		Malfunction in blower or charging cable.	▶ Remove the activation key. ▶ Contact your STIHL servicing dealer.

## 18 Specifications

### 18.1 STIHL BGA 45 Blower

- Weight: 2.1 kg
- Air speed with nozzle mounted: 38 m/s
- Battery technology: Lithium-ion
- Voltage: 18 V
- Capacity in Ah: see rating label
- Energy content in Wh: see rating label
- Permissible temperature range for operation and storage: 0°C up to +50°C

If the blower is used at temperatures higher than +30°C, the battery runtime may be shortened and the blower's performance reduced.

For battery life see [www.stihl.com/battery-life](http://www.stihl.com/battery-life).

### 18.2 STIHL LK 45 Charging Cable

- Voltage: 100-240 V, 50--60 Hz
- Power rating: 14.6 W
- Charge current: 0.65 A
- Permissible temperature range for operation and storage: 0°C up to 40 °C

For charging times see [www.stihl.com/charging-times](http://www.stihl.com/charging-times).

### 18.3 Noise and Vibration Data

K-value for sound pressure level is 2 dB(A). K-value for sound power level is 2 dB(A). K-value for vibration level is 2 m/s<sup>2</sup>.

STIHL recommends that you wear hearing protection.

- Sound pressure level  $L_{pA}$  measured according to EN 50636-2-100: 76 dB(A)
- Sound power level  $L_{WA}$  measured according to EN 50636-2-100: 87 dB(A)
- Vibration measurement  $a_{HV}$  measured according to EN 506362100; control handle: 3.2 m/s<sup>2</sup>

The vibration values quoted above have been measured according to a standardized test procedure and may be used to compare electric power tools. Depending on the type of usage, the vibrations that actually occur may differ from the values quoted. The vibration values quoted may be used for an initial assessment of the user's exposure to vibrations. The actual exposure to vibrations has to be estimated. This process may also take into account times during which the electric power tool is switched off and times during which it is switched on but running off load.

Information on compliance with Vibration Directive 2002/44/EC is available at [www.stihl.com/vib](http://www.stihl.com/vib).

### 18.4 REACH

REACH is an EC regulation and stands for the Registration, Evaluation, Authorisation and Restriction of Chemical substances.

For information on compliance with the REACH regulation see [www.stihl.com/reach](http://www.stihl.com/reach).

## 19 Spare Parts and Accessories

### 19.1 Spare Parts and Accessories

**STIHL**® These symbols identify original STIHL replacement parts and original STIHL accessories.

STIHL recommends the use of original STIHL replacement parts and accessories.

Original STIHL replacement parts and original STIHL accessories are available from STIHL servicing dealers.

## 20 Disposal

### 20.1 Disposing of Blower and Charging Cable

The blower contains a built-in rechargeable battery which must be disposed of separately.

- ▶ Return the blower to a STIHL servicing dealer for disposal. The STIHL dealer removes the built-in battery from the blower for separate disposal.
- ▶ Dispose of the charging cable, accessories and packaging in accordance with local regulations and environmental requirements.

Technical documents are deposited at ANDREAS STIHL AG & Co. KG Produktzulassung (Product Licensing).

The year of manufacture, country of manufacture and serial number are applied to the product.

Done at Waiblingen, 01.03.2017

ANDREAS STIHL AG & Co. KG



Thomas Elsner, Director Product Management and Services

## 21 EC Declaration of Conformity

### 21.1 STIHL BGA 45 Blower

ANDREAS STIHL AG & Co. KG  
Badstrasse 115  
D-71336 Waiblingen  
Germany

declare in exclusive responsibility that

- Category: Cordless electric blower
- Make: STIHL
- Model: BGA 45
- Serial identification: 4513

conforms to the relevant provisions of Directives 2011/65/EU, 2006/42/EC, 2014/30/EU and 2000/14/EC and has been developed and manufactured in compliance with the following standards in the versions valid on the date of production: EN 55014-1, EN 55014-2, EN 60335-1 and EN 50636-2-100.

The measured and guaranteed sound power levels were determined according to Directive 2000/14/EC, Annex V.

- Measured sound power level: 86 dB(A)
- Guaranteed sound power level: 89 dB(A)

### 21.2 STIHL LK 45 Charging Cable

This charging cable is manufactured and put on the market in accordance with the following directives: 2014/35/EU, 2014/30/EU and 2011/65/EU.

The year of manufacture, country of manufacture and serial number are applied to the charger.

The complete EC Declaration of Conformity is available from ANDREAS STIHL AG & Co. KG, Badstrasse 115, 71336 Waiblingen, Germany.







0458-719-0121-A

englisch



[www.stihl.com](http://www.stihl.com)



0458-719-0121-A